

ILLUSTRATED PARTS LIST

MODEL NUMBER P53-875DWA

PRODUCT NUMBER 961 41 01-74

MFG. ID. NUMBER 96141017403

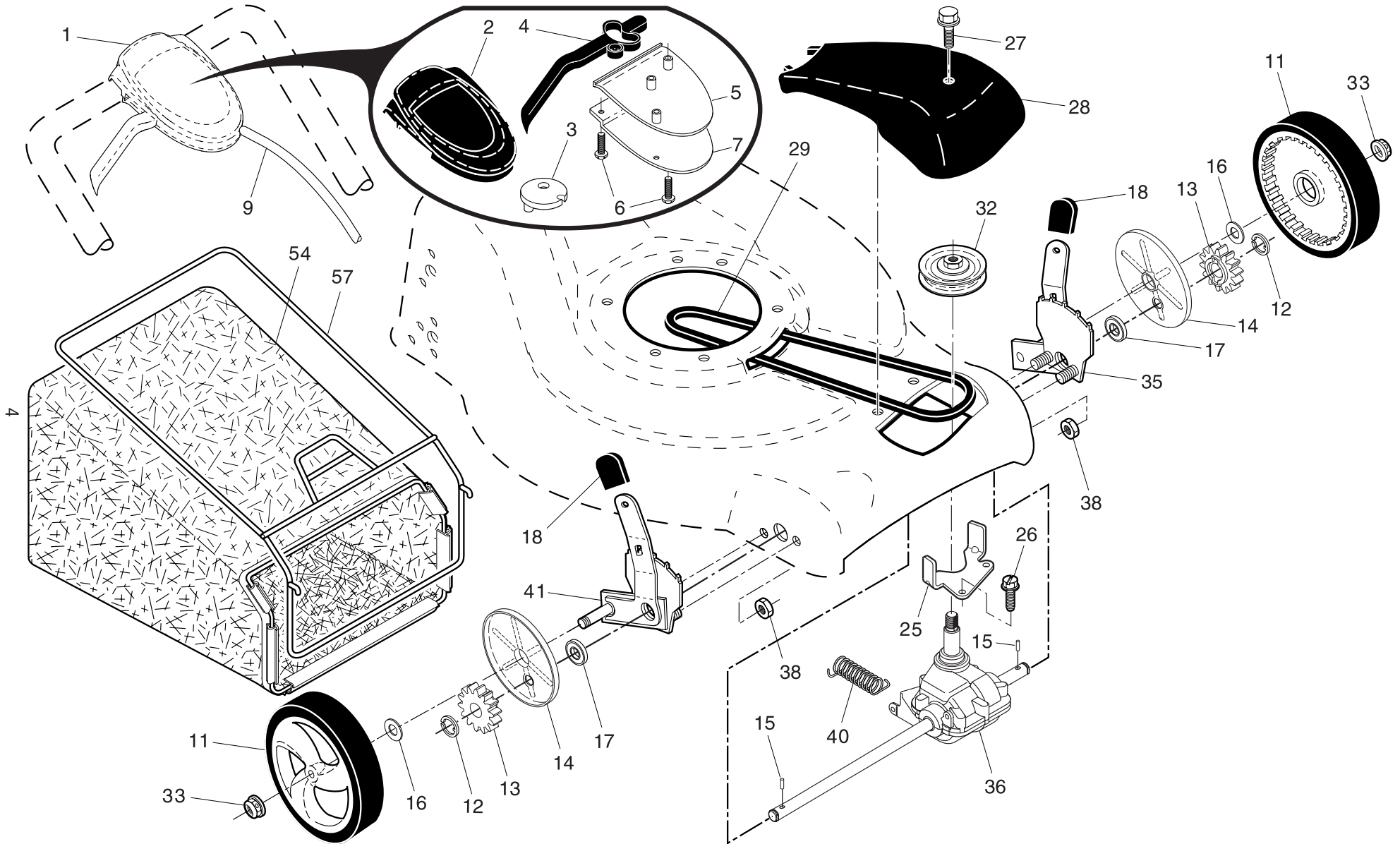
ROTARY LAWN MOWER - - MODEL NUMBER P53-875DWA (96141017403) PRODUCT NO. 961 41 01-74

KEY NO.	PART NO.	DESCRIPTION	KEY NO.	PART NO.	DESCRIPTION
1	532 42 48-03	Upper Handle	33	873 80 05-00	Nut, Hex 5/16-18
2	532 15 36-05	Lower Handle	36	532 18 41-93	Bolt
3	532 42 65-05	Control Bar	37	874 78 05-12	Thread Cutting Screw w/Sems 5/16-18 x 3/4
4	532 41 53-50	Engine Zone Control Cable	38	532 40 16-29	Washer
5	532 19 15-74	Handle Bolt	39	532 15 53-77	Nut, Hex, Flanged
6	532 19 19-38	Handle Knob	40	532 42 57-11	Belt Keeper
7	532 05 17-93	Hairpin Cotter	44	532 40 92-65	Kit, Lawn Mower Housing (Includes Key Numbers 10, 11, 12 and 45)
8	532 06 64-26	Wire Tie	45	532 18 21-66	Danger Decal
9	532 40 69-85	Rear Door Assembly	46	532 19 77-52	Blade Adapter / Pulley
10	532 12 84-15	Pop Rivet	47	532 19 93-77	Blade, 21"
11	532 41 54-40	Support Bracket, LH	48	532 85 10-74	Hardened Washer
12	532 41 54-42	Support Bracket, RH	49	532 85 02-63	Helical Washer 3/8-24 x 1-3/8 Grade 8
13	817 06 04-10	Screw 1/4-20 x 5/8	50	532 85 10-84	Hex Head Machine Screw 3/8-24 x 1-3/8 Grade 8
14	532 18 25-43	Handle Bracket Assembly, LH	57	532 12 52-03	Upstop Bracket
15	532 18 25-45	Handle Bracket Assembly, RH	58	532 75 06-34	Screw
16	532 40 54-17	Spring, Rear Door, LH	59	532 17 50-71	Discharge Deflector
17	532 40 54-18	Spring, Rear Door, RH	60	532 17 57-35	Hinge Bracket
18	532 13 20-04	Keys Locknut 1/4-20	61	532 19 30-00	Spring, Hinge
19	532 19 47-88	Rope Guide	62	532 17 56-50	Hinge Rod
20	532 41 35-43	Foot Guard, C.E.	63	873 80 04-00	Nut, Hex
21	817 49 04-16	Screw	64	532 17 50-66	Mulcher Door
24	- - -	Engine, Briggs, Model Number 12S502-0993-B1 (order parts from engine manufacturer)	65	532 19 74-80	O-Ring
25	532 15 04-06	Hex Head Thread Rolling Screw 3/8-16 x 1-1/8	66	532 08 83-48	Washer, Flat 1/2
26	532 40 91-49	Hex Flange Nut	73	532 40 16-30	Washer, Cylindrical
27	532 40 35-09	Wheel & Tire Assembly, Rear, 12"	96	532 19 79-91	Clip, Cable
28	532 40 16-38	Shoulder Bolt 5/16-18 x .33	--	532 42 43-85	Operator's Manual, European
30	532 41 31-41	Axle Arm Assembly, RH	--	532 42 43-86	Operator's Manual, Scandinavian
31	532 08 78-77	Selector Knob	--	532 42 43-87	Operator's Manual, East Bloc
32	532 40 98-89	Selector Spring	--	532 42 43-88	Operator's Manual, Baltic

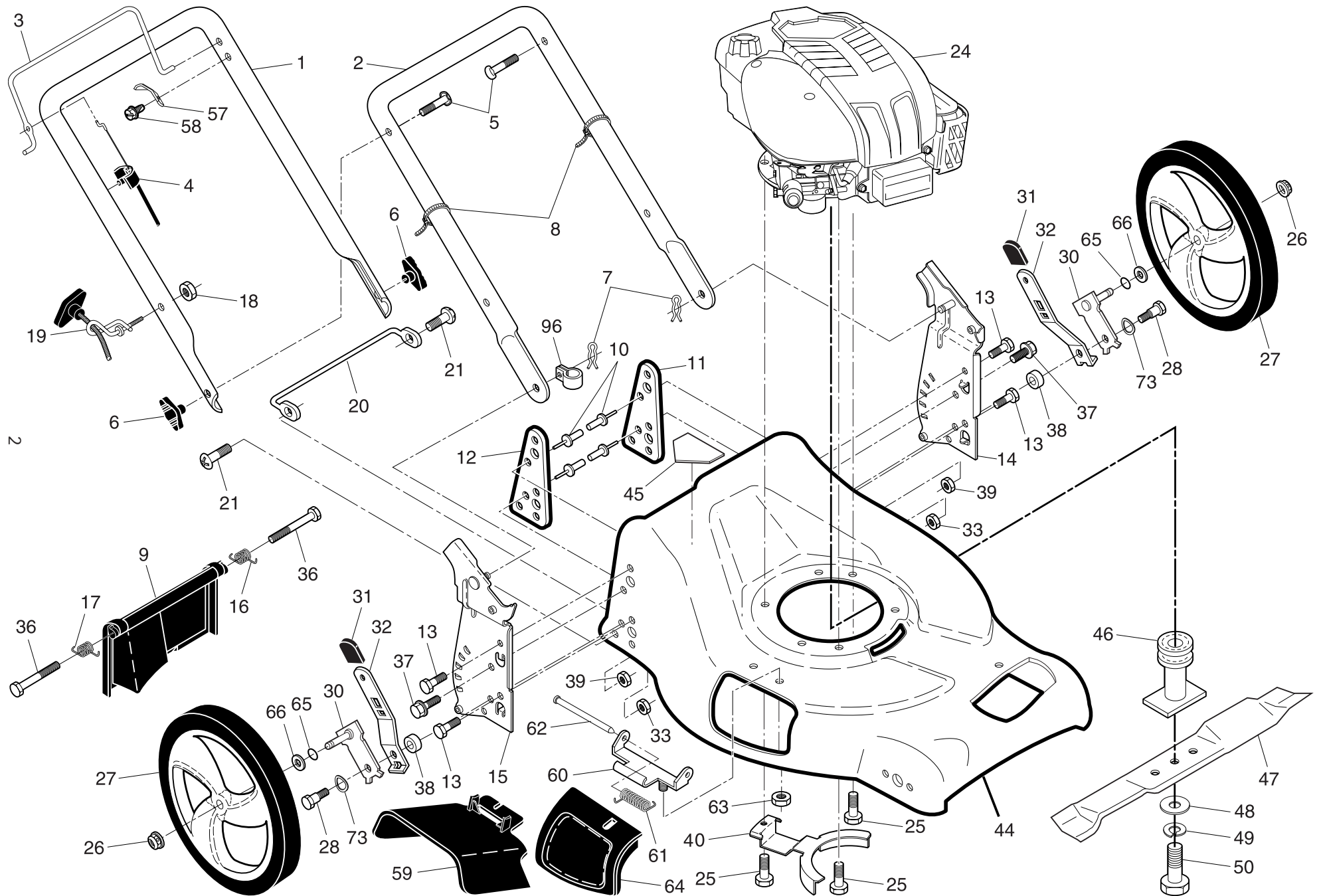
3

NOTE: All component dimensions given in U.S. inches. 1 inch = 25.4 mm. **IMPORTANT:** Use only Original Equipment Manufacturer (O.E.M.) replacement parts. Failure to do so could be hazardous, damage your lawn mower and void your warranty.

ROTARY LAWN MOWER - - MODEL NUMBER P53-875DWA (96141017403) PRODUCT NO. 961 41 01-74



ROTARY LAWN MOWER - - MODEL NUMBER P53-875DWA (96141017403) PRODUCT NO. 961 41 01-74



ROTARY LAWN MOWER - - MODEL NUMBER P53-875DWA (96141017403) PRODUCT NO. 961 41 01-74

KEY NO.	PART NO.	DESCRIPTION
1	532 42 49-23	Drive Control Assembly (Includes Cable)
2	532 41 35-42	Cover, Drive Control, Upper
3	532 40 62-62	Pulley
4	532 19 57-47	Lever, Drive Control
5	532 41 35-41	Cover, Drive Control, Lower
6	532 18 16-98	Screw
7	532 40 07-23	Bracket, Drive
9	532 40 62-59	Cable Assembly, Drive
11	532 40 29-36	Wheel & Tire Assembly
12	812 00 00-58	E-Ring
13	532 40 38-49	Pinion
14	532 18 94-03	Dust Cover
15	532 40 48-45	Pawl, Drive
16	532 06 77-25	Washer 1/2 x 1-1/2 x .134
17	532 19 10-39	Bearing, Wheel Adjuster
18	532 08 78-77	Selector Knob

KEY NO.	PART NO.	DESCRIPTION
25	532 41 16-63	Belt Keeper
26	532 16 34-09	Screw
27	532 17 52-62	Pan Head Tapping Screw #10-24 x 2-3/4
28	532 18 14-67	Drive Cover
29	532 19 41-49	V-Belt
32	532 19 40-18	Drive Pulley
33	532 40 91-48	Locknut, Hex
35	532 40 88-62	Kit, Wheel Adjuster, LH (Includes Knob and Bearing)
36	532 40 48-33	Gearcase Assembly, Complete
38	873 80 04-00	Locknut, Hex 1/4-20
40	532 40 65-58	Spring
41	532 40 88-61	Kit, Wheel Adjuster, RH (Includes Knob and Bearing)
54	532 19 48-53	Grassbag Assembly
57	532 41 19-50	Frame, Grassbag

NOTE: All component dimensions given in U.S. inches. 1 inch = 25.4 mm. **IMPORTANT:** Use only Original Equipment Manufacturer (O.E.M.) replacement parts. Failure to do so could be hazardous, damage your lawn mower and void your warranty.