

**ILLUSTRATED PARTS LIST**

**MODEL NUMBER P53-675DWAR**

**PRODUCT NUMBER 961 41 01-78**

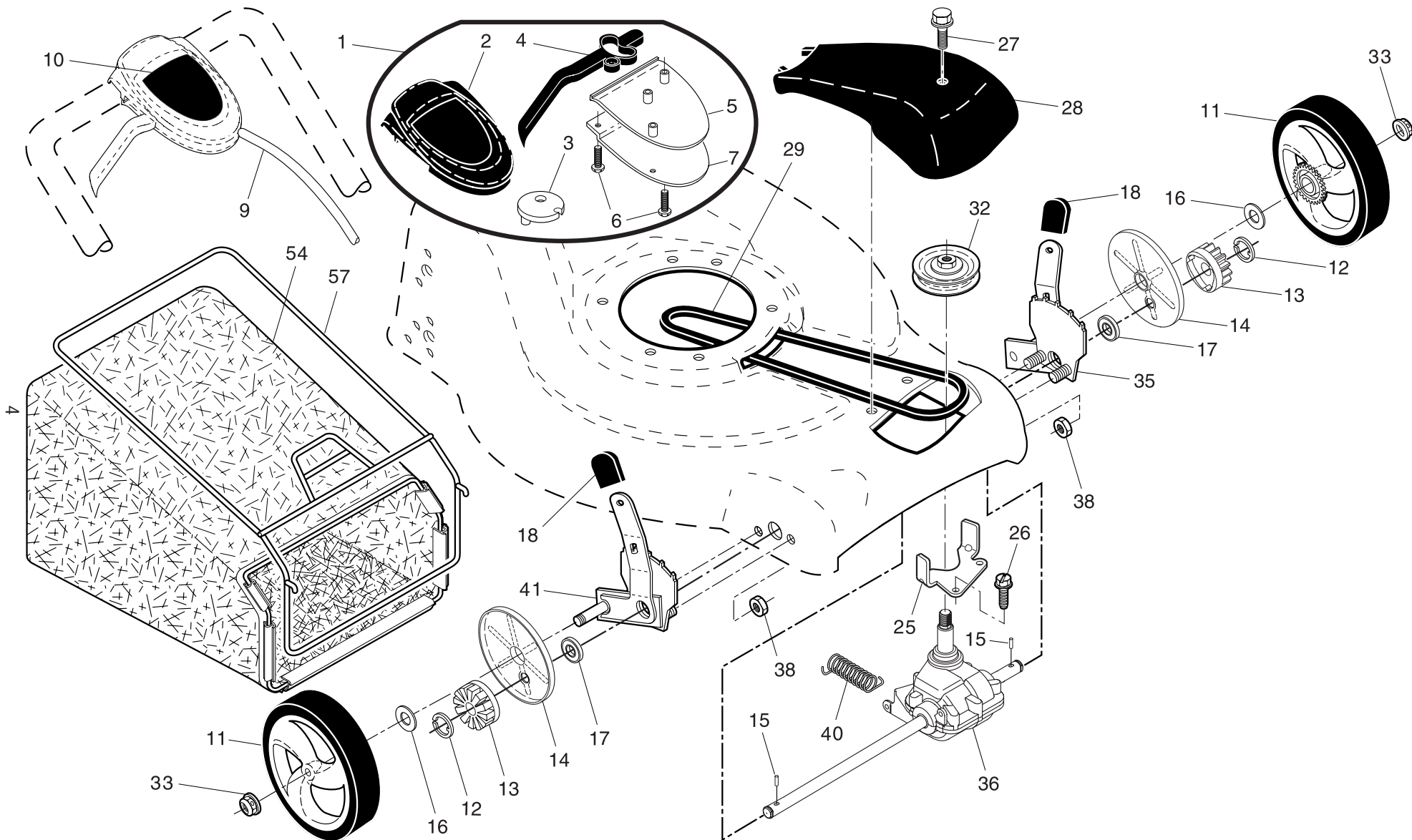
**MFG. ID. NUMBER 96141017801**

# ROTARY LAWN MOWER - MODEL NUMBER P53-675DWAR (96141017801) PRODUCT NO. 961 41 01-78

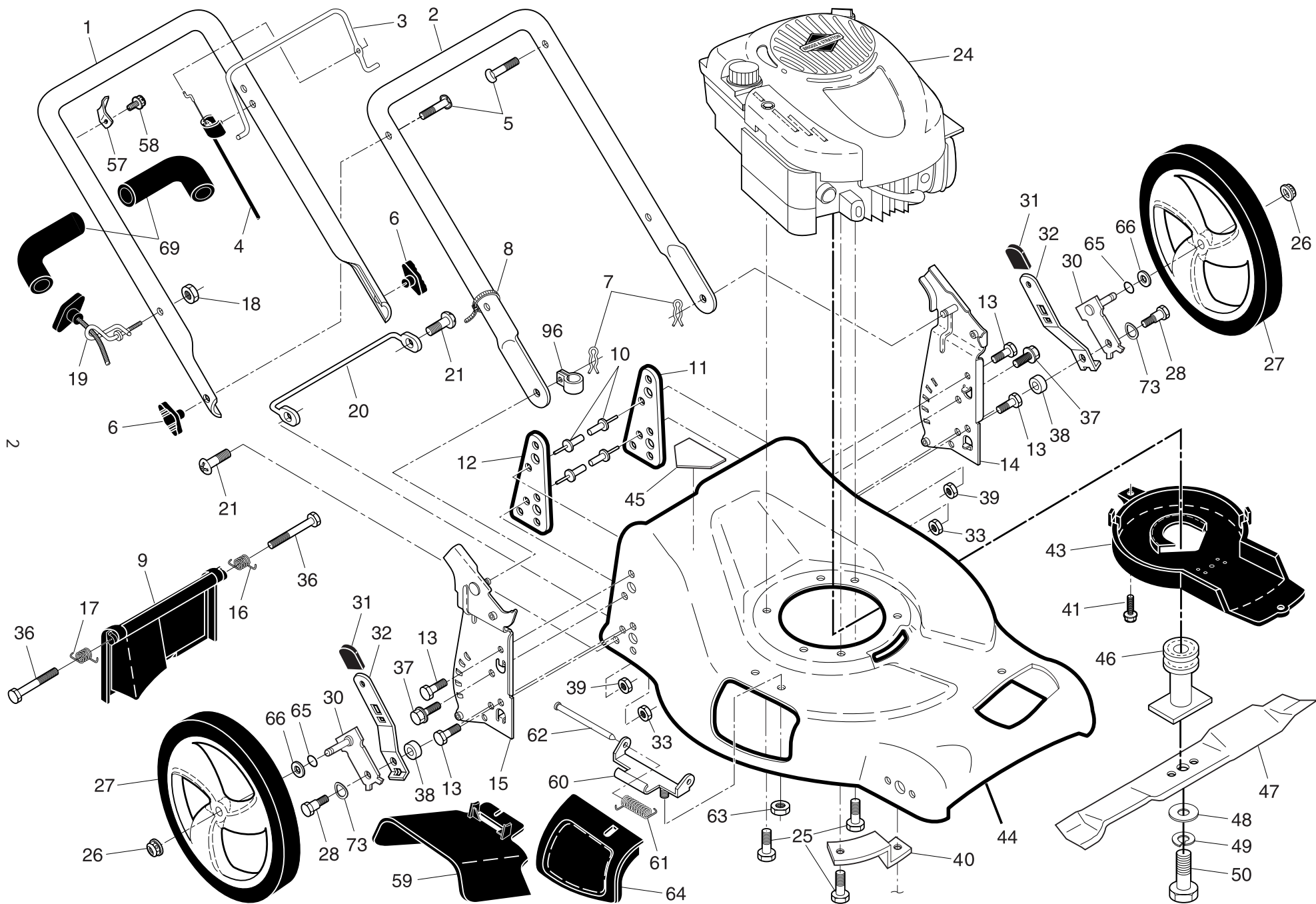
KEY NO.	PART NO.	DESCRIPTION	KEY NO.	PART NO.	DESCRIPTION
1	<b>532 18 45-76</b>	Upper Handle (Grip Included)	37	874 78 05-12	Thread Cutting Screw w/Sems 5/16-18 x 3/4
2	532 15 36-05	Lower Handle	38	532 40 16-29	Spacer
3	532 40 29-32	Control Bar	39	532 15 53-77	Nut, Hex, Flanged 5/16-18
4	532 18 35-67	Engine Zone Control Cable	40	532 19 09-39	Mounting Bracket, Debris Shield
5	532 19 15-74	Handle Bolt	41	532 19 23-25	Screw
6	532 19 19-38	Handle Knob	43	532 40 58-44	Debris Shield
7	532 05 17-93	Hairpin Cotter	44	532 40 92-65	Kit, Lawn Mower Housing (Includes Key Numbers 10, 11, 12 and 45)
8	532 06 64-26	Wire Tie	45	532 18 21-66	Danger Decal
9	532 40 69-85	Rear Door	46	532 19 77-52	Blade Adapter / Pulley
10	532 12 84-15	Pop Rivet	47	532 19 93-77	Blade, 21"
11	532 41 05-40	Support Bracket, LH	48	532 85 10-74	Hardened Washer
12	532 41 05-42	Support Bracket, RH	49	532 85 02-63	Helical Washer 3/8-24 x 1-3/8 Grade 8
13	817 06 04-10	Screw 1/4-20 x 5/8	50	532 85 10-84	Hex Head Machine Screw 3/8-24 x 1-3/8 Grade 8
14	<b>532 18 25-43</b>	Handle Bracket Assembly, LH	57	<b>532 12 52-03</b>	Upstop Bracket
15	<b>532 18 25-45</b>	Handle Bracket Assembly, RH	58	532 75 06-34	Screw
16	532 40 54-17	Spring, Rear Door, LH	59	532 17 50-71	Discharge Deflector
17	532 40 54-18	Spring, Rear Door, RH	60	532 17 57-35	Hinge Bracket
18	532 13 20-04	Keys Locknut 1/4-20	61	532 19 30-00	Hinge Spring
19	532 19 47-88	Rope Guide	62	532 17 56-50	Hinge Rod
20	532 41 35-43	Foot Guard, C.E.	63	873 80 04-00	Nut, Hex
21	817 49 04-16	Screw, Tapping 1/4-20 x 1/2	64	532 17 50-66	Mulcher Door
24	---	Engine, Briggs & Stratton, Model Number 126T02-1229-B1 (order parts from engine manufacturer)	65	532 19 74-80	O-Ring
25	532 15 04-06	Hex Head Thread Rolling Screw 3/8-16 x 1-1/8	66	532 08 83-48	Washer, Flat
26	532 40 91-49	Hex Flange Nut	69	532 18 27-48	Grip, Handle
27	532 40 35-09	Wheel & Tire Assembly, Rear	73	532 40 16-30	Washer, Curved, Cylindrical
28	532 40 16-38	Shoulder Bolt 5/16-18 x .33	96	532 19 79-91	Clip, Cable
30	532 41 31-41	Axle Arm Assembly, Rear	--	532 18 21-34	Decal, Warning (not shown)
31	532 08 78-77	Selector Knob	--	532 41 64-35	Operator's Manual, European
32	532 40 98-89	Selector Spring	--	532 41 64-36	Operator's Manual, Scandinavian
33	873 80 05-00	Nut, Hex 5/16-18	--	532 41 64-38	Operator's Manual, East Bloc
36	532 18 41-93	Bolt	--	532 41 64-37	Operator's Manual, Baltic

**NOTE:** All component dimensions given in U.S. inches. 1 inch = 25.4 mm. **IMPORTANT:** Use only Original Equipment Manufacturer (O.E.M.) replacement parts. Failure to do so could be hazardous, damage your lawn mower and void your warranty.

# ROTARY LAWN MOWER - MODEL NUMBER P53-675DWAR (96141017801) PRODUCT NO. 961 41 01-78



# ROTARY LAWN MOWER - MODEL NUMBER P53-675DWAR (96141017801) PRODUCT NO. 961 41 01-78



# ROTARY LAWN MOWER - MODEL NUMBER P53-675DWAR (96141017801) PRODUCT NO. 961 41 01-78

KEY NO.	PART NO.	DESCRIPTION	KEY NO.	PART NO.	DESCRIPTION
1	532 42 49-23	Drive Control Assembly, with Cable	25	532 41 16-63	Belt Keeper
2	532 41 35-42	Cover, Drive Control, Top	26	532 16 34-09	Screw, Hi-Lo Thread #12 x 5/8
3	532 40 62-62	Pulley, Drive Control	27	532 17 52-62	Screw, Tapping, Pan Head #10-24 x 2-3/4
4	532 19 57-47	Lever, Drive Control	28	532 18 14-68	Drive Cover
5	532 41 35-41	Cover, Drive Control, Bottom	29	532 19 41-49	V-Belt
6	532 18 16-98	Screw #8 x .62	32	532 19 40-18	Pulley, Drive
7	532 40 07-23	Mounting Bracket, Drive Control	33	532 40 91-48	Locknut, Hex
9	532 40 62-59	Cable, Drive Control	35	532 40 88-62	Kit, Wheel Adjuster, LH (Includes Knob and Bearing)
10	532 41 73-85	Decal, Drive Control	36	532 40 48-33	Gearcase Assembly, Complete
11	532 40 29-36	Wheel & Tire Assembly, Front (Driven)	38	873 80 04-00	Locknut, Hex 1/4-20
12	812 00 00-58	E-Ring	40	532 40 65-58	Spring
13	532 40 38-49	Pinion Assembly	41	532 40 88-61	Kit, Wheel Adjuster, RH (Includes Knob and Bearing)
14	532 18 94-03	Dust Cover	54	532 19 48-53	Grassbag
15	532 40 48-45	Pawl, Drive	57	532 41 19-50	Frame, Grassbag
16	532 06 77-25	Washer 1/2 x 1-1/2 x .134			
17	532 19 10-39	Bearing, Wheel Adjuster			
18	532 08 78-77	Selector Knob			

5

**NOTE:** All component dimensions given in U.S. inches. 1 inch = 25.4 mm. **IMPORTANT:** Use only Original Equipment Manufacturer (O.E.M.) replacement parts. Failure to do so could be hazardous, damage your lawn mower and void your warranty.