

ILLUSTRATED PARTS LIST

MODEL NUMBER P53-675CMD

PRODUCT NUMBER 961 41 01-86

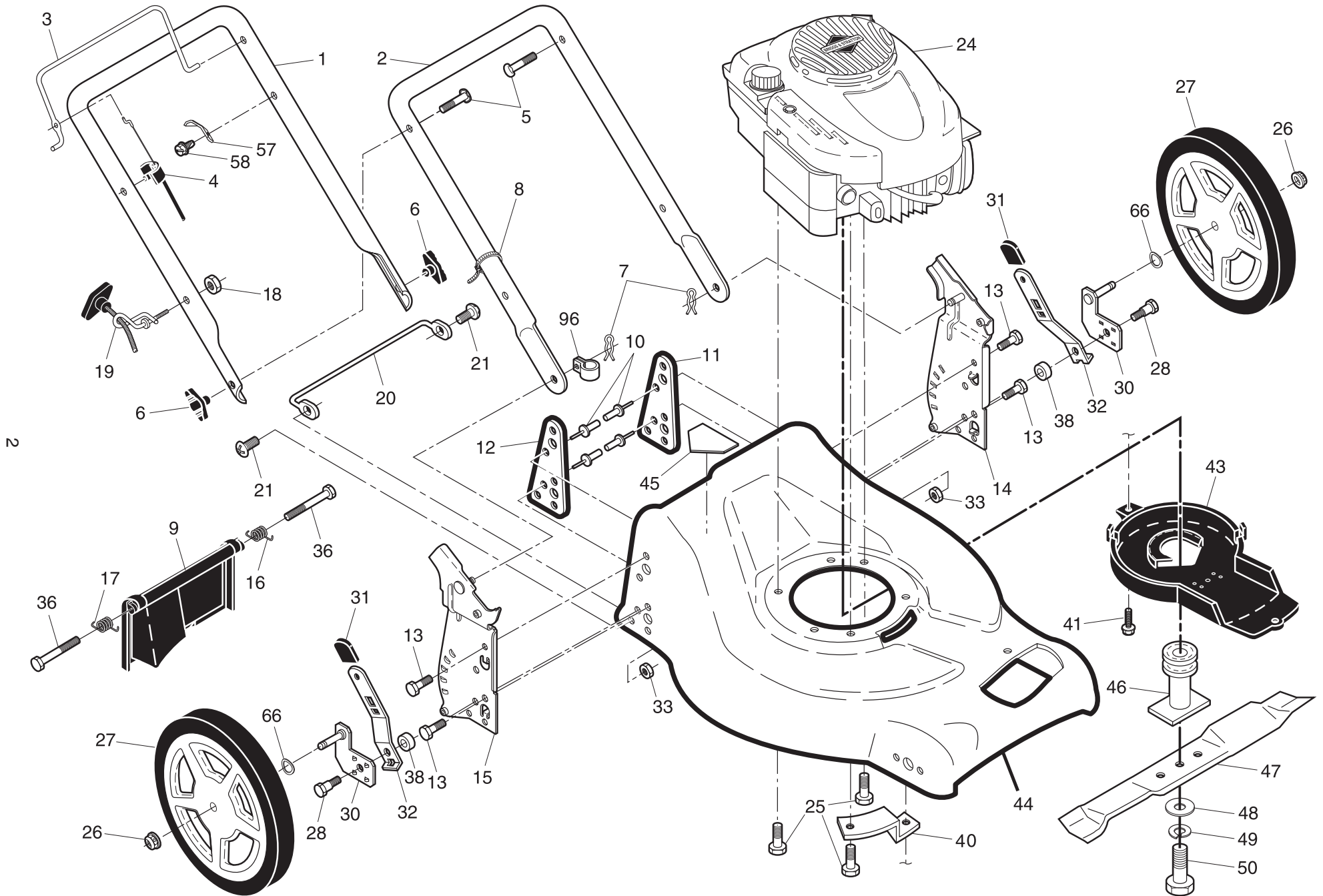
MFG. ID. NUMBER 96141018600

ROTARY LAWN MOWER - - MODEL NUMBER P53-675CMD (96141018600) PRODUCT NUMBER 961 41 01-86

KEY NO.	PART NO.	DESCRIPTION	KEY NO.	PART NO.	DESCRIPTION
1	532 19 84-59	Upper Handle	28	532 40 16-38	Shoulder Bolt 5/16-18 x .33
2	532 15 36-05	Lower Handle	30	532 41 21-74	Axle Arm Assembly, Rear
3	532 19 84-64	Control Bar	31	532 08 78-77	Selector Knob
4	532 18 35-67	Engine Zone Control Cable	32	532 41 08-88	Selector Spring
5	532 19 15-74	Handle Bolt	33	873 15 53-77	Nut, Hex 5/16-18
6	532 19 19-38	Handle Knob	36	532 18 41-93	Bolt
7	532 05 17-93	Hairpin Cotter	38	532 40 16-29	Spacer, Height Adjuster
8	532 06 64-26	Wire Tie	40	532 19 09-39	Mounting Bracket, Debris Shield
9	532 40 69-85	Rear Door	41	532 19 23-25	Screw, Debris Shield
10	532 12 84-15	Pop Rivet	43	532 40 58-45	Debris Shield
11	532 40 65-73	Support Bracket, LH	44	532 40 93-64	Kit Housing (Includes Key Numbers 10, 11, 12 and 45)
12	532 40 65-74	Support Bracket, RH	45	532 18 21-66	Danger Decal
13	817 06 04-10	Screw 1/4-20 x 5/8	46	532 40 46-33	Blade Adapter/Pulley
14	532 19 01-54	Handle Bracket Assembly, LH	47	532 19 93-77	Blade 21"
15	532 19 01-53	Handle Bracket Assembly, RH	48	532 85 10-74	Hardened Washer
16	532 40 54-17	Spring, Rear Door, LH	49	532 85 02-63	Helical Washer 3/8-24 x 1-3/8 Grade 8
17	532 40 54-18	Spring, Rear Door, RH	50	532 85 10-84	Hex Head Machine Screw 3/8-24 x 1-3/8 Grade 8
18	532 13 20-04	Keys Locknut 1/4-20	57	532 12 51-62	Bracket, Upstop
19	532 19 47-88	Rope Guide	58	532 75 06-34	Screw
20	532 41 35-43	Foot Guard, C.E.	65	532 19 74-80	O-Ring
21	532 05 45-83	Screw, Tapping 1/4-20 x 1/2	66	532 40 16-30	Washer, Curved
24	- - -	Engine, Briggs & Stratton, Model Number 126T02-1009-B1 (order parts from engine manufacturer)	96	532 19 79-91	Clip, Cable
25	532 15 04-06	Hex Head Thread Rolling Screw 3/8-16 x 1-1/8	--	532 18 21-34	Decal, Self-Propelled, Internal (not shown)
26	532 40 91-48	Hex Flange Nut	--	532 41 78-36	Operator's Manual, Scandinavian
27	532 19 79-85	Wheel & Tire Assembly	--	532 41 78-37	Operator's Manual, Baltic
			--	532 41 78-38	Operator's Manual, Euro
			--	532 41 78-39	Operator's Manual, E-Bloc

NOTE: All component dimensions given in U.S. inches. 1 inch = 25.4 mm. **IMPORTANT:** Use only Original Equipment Manufacturer (O.E.M.) replacement parts. Failure to do so could be hazardous, damage your lawn mower and void your warranty.

ROTARY LAWN MOWER - - MODEL NUMBER P53-675CMD (96141018600) PRODUCT NUMBER 961 41 01-86



ROTARY LAWN MOWER - - MODEL NUMBER P53-675CMD (96141018600) PRODUCT NUMBER 961 41 01-86

KEY NO.	PART NO.	DESCRIPTION	KEY NO.	PART NO.	DESCRIPTION
1	532 19 46-53	Drive Control Assembly (Includes Cable)	57	532 41 19-50	Frame, Grassbag
2	532 19 10-39	Bearing, Wheel Adjuster	60	532 18 34-97	Case, Lower
3	532 17 52-62	Pan Head Tapping Screw #10-24 x 2-3/4	61	532 18 34-98	Case, Upper
5	532 17 54-36	V-Belt	62	532 18 34-99	Gear, 27 Teeth
6	532 15 04-95	Spring Retainer	63	532 18 35-00	Lever, Clutch
7	532 19 84-53	Control Bar, Drive	64	532 18 35-01	Spring, Return
9	532 40 91-48	Locknut, Hex	65	532 41 69-88	Shaft, Input
11	532 19 79-86	Wheel & Tire Assembly	66	532 18 35-03	Dog, Movable
12	812 00 00-58	E-Ring	67	532 18 35-04	Dog, Fixed
13	532 40 38-49	Pinion	68	532 18 35-05	Wire, Formed
14	532 18 94-03	Dust Cover	69	532 18 35-06	Bearing, Ball
15	532 40 48-45	Pawl, Drive	70	532 18 35-07	Fork, Shift
16	532 06 77-25	Washer 1/2 x 1-1/2 x .134	71	532 18 35-08	Seal, Output Shaft
18	532 08 78-77	Selector Knob	72	532 18 35-09	Washer
28	532 18 14-68	Drive Cover	73	532 18 35-10	Seal, Case
35	532 40 88-62	Kit, Wheel Adjuster, LH (Includes Knob and Bearing)	74	532 18 35-11	Bushing
36	532 41 52-25	Gear Case Assembly, Complete	75	532 19 66-13	Shaft, Output
38	873 80 04-00	Locknut, Hex 1/4-20	76	532 18 35-13	Screw
40	532 13 70-90	Spring	77	532 18 35-14	Seal, Input Shaft
41	532 40 88-61	Kit, Wheel Adjuster, RH (Includes Knob and Bearing)	78	532 41 69-87	Drive Pulley
54	532 19 48-53	Grassbag	79	532 41 69-86	Nut, Flange

* We advise Total Multis EP00 semi-liquid grease or a comparable grade (quantity 1.15 oz)

NOTE: All component dimensions given in U.S. inches. 1 inch = 25.4 mm. **IMPORTANT:** Use only Original Equipment Manufacturer (O.E.M.) replacement parts. Failure to do so could be hazardous, damage your lawn mower and void your warranty.