

**ILLUSTRATED PARTS LIST**

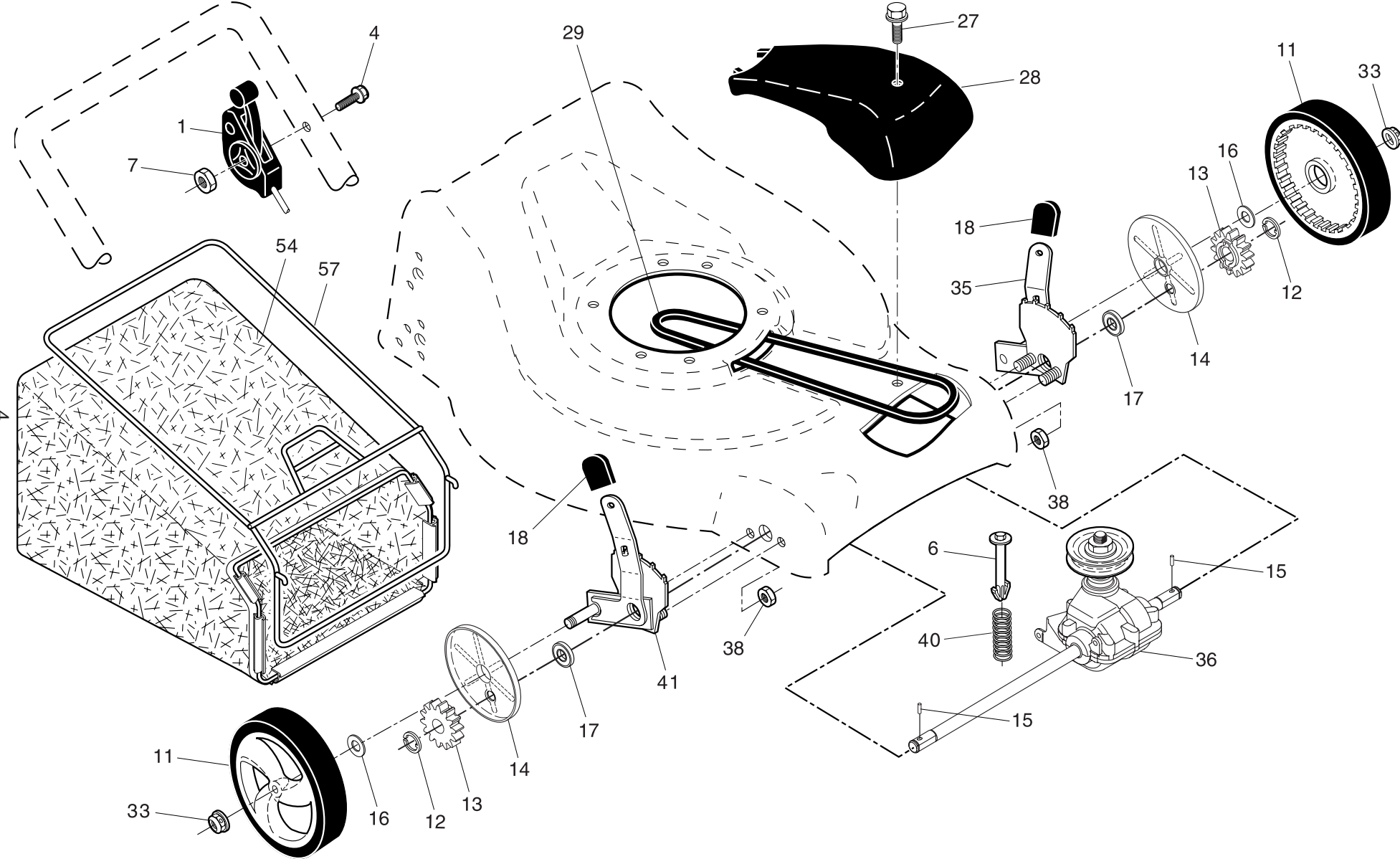
**MODEL NUMBER P53-65CMDE**  
**PRODUCT NUMBER 961 41 00-76**  
**MFG. ID. NUMBER 96141007606**

# ROTARY LAWN MOWER - - MODEL NUMBER P53-65CMDE (96141007606) PRODUCT NUMBER 961 41 00-76

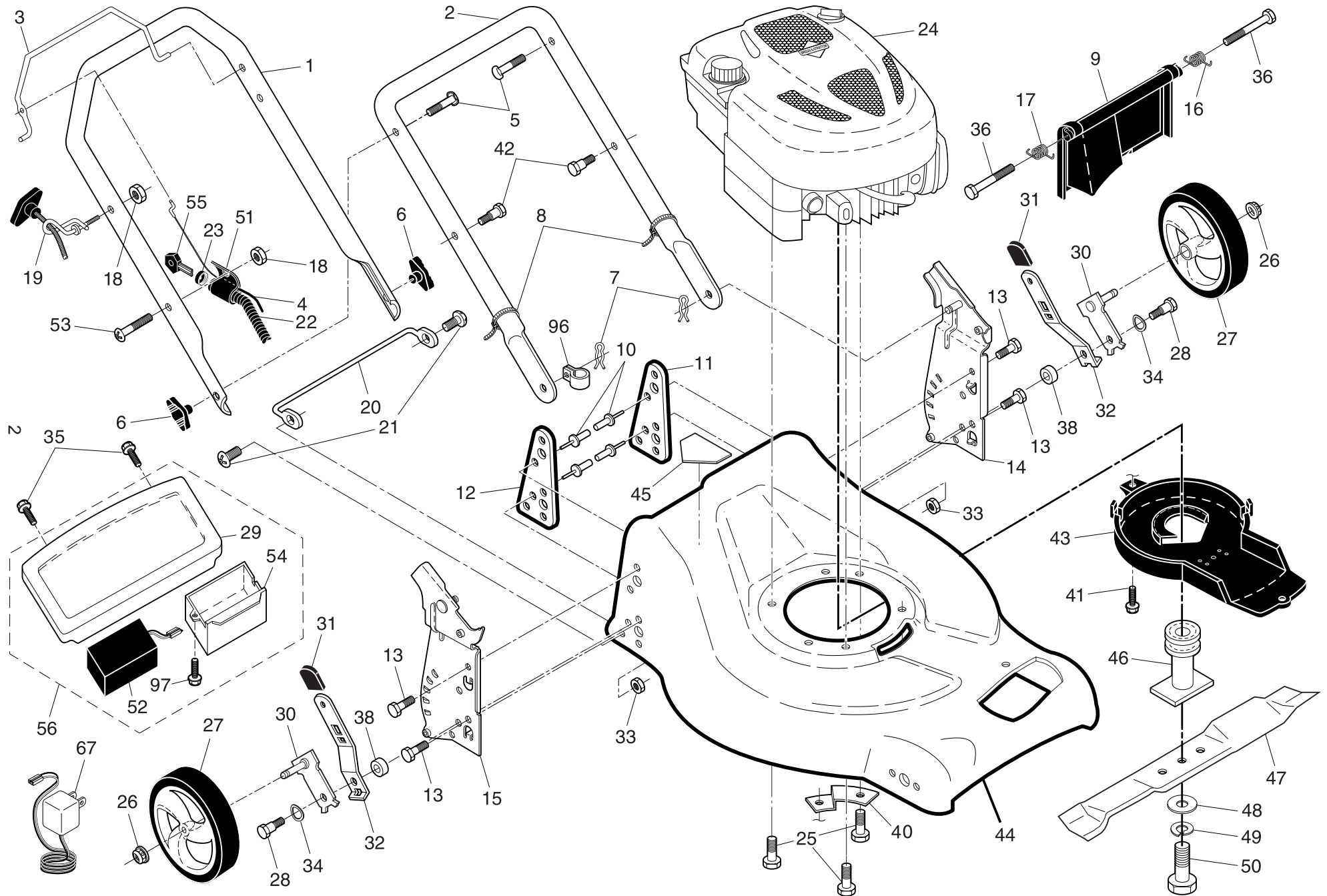
KEY NO.	PART NO.	DESCRIPTION	KEY NO.	PART NO.	DESCRIPTION
1	532 40 29-37	Upper Handle	32	532 41 08-88	Selector Spring
2	532 19 63-49	Lower Handle	33	532 15 53-77	Nut, Hex 5/16-18
3	532 18 99-03	Control Bar	34	532 40 16-30	Curved Washer
4	532 40 19-94	Cable, Engine Zone Control	35	532 14 18-41	Screw
5	532 19 15-74	Handle Bolt	36	532 18 41-93	Bolt
6	532 19 19-38	Handle Knob	38	532 40 16-29	Spacer
7	532 05 17-93	Hairpin Cotter	40	532 19 09-39	Mounting Bracket, Debris Shield
8	532 06 64-26	Wire Tie	41	532 19 23-25	Screw, Debris Shield
9	532 40 69-85	Rear Door	42	532 17 55-51	Screw
10	532 12 84-15	Pop Rivet	43	532 40 58-45	Debris Shield
11	532 41 05-40	Support Bracket, LH	44	532 40 93-64	Kit, Lawn Mower Housing (Includes Key Numbers 10, 11, 12 and 45)
12	532 41 05-42	Support Bracket, RH	45	532 18 21-66	Danger Decal
13	817 06 04-10	Screw 1/4-20 x 5/8	46	532 40 46-33	Blade Adapter
14	532 19 01-54	Handle Bracket Assembly, LH	47	532 19 93-77	Blade 21"
15	532 19 01-53	Handle Bracket Assembly, RH	48	532 85 10-74	Hardened Washer
16	532 40 54-17	Spring, Rear Door, LH	49	532 85 02-63	Helical Washer 3/8-24 x 1-3/8 Grade 8
17	532 40 54-18	Spring, Rear Door, RH	50	532 85 10-84	Hex Head Machine Screw 3/8-24 x 1-3/8 Grade 8
18	532 13 20-04	Locknut, Hex 1/4-20	51	532 18 96-86	Key Start Switch (Includes Key)
19	532 19 47-88	Rope Guide	52	532 18 95-89	Battery
20	532 41 35-43	Foot Guard, C.E.	53	532 18 61-59	Screw
21	817 49 04-16	Screw, Tapping 1/4-20 x 1/2	54	532 18 62-37	Box, Battery
22	<b>532 40 95-67</b>	Wiring Harness	55	532 18 03-31	Key
23	532 19 48-48	Nut, Cap	56	532 19 12-52	Trimplate, Battery and Battery Box Assembly
24	- - -	Engine, Briggs & Stratton, Model Number 124T05-4026-B1 (order parts from engine manufacturer)	67	532 19 24-36	Charger, Battery
25	532 15 04-06	Hex Head Thread Rolling Screw 3/8-16 x 1-1/8	96	532 19 79-91	Clip, Cable
26	532 40 91-48	Hex Flange Nut	97	817 41 13-08	Screw
27	532 40 61-55	Wheel & Tire Assembly	--	532 18 21-34	Decal, Self-Propelled, Internal (not shown)
28	532 40 16-38	Shoulder Bolt 5/16-18 x .33	--	<b>532 42 48-01</b>	Operator's Manual, European
29	532 41 11-90	Trimplate	--	<b>532 42 48-00</b>	Operator's Manual, Scandinavian
30	532 41 21-74	Axle Arm Assembly, Rear, RH	--	<b>532 42 47-99</b>	Operator's Manual, East Bloc
31	532 08 78-77	Selector Knob	--	<b>532 42 48-02</b>	Operator's Manual, Baltic

**NOTE:** All component dimensions given in U.S. inches. 1 inch = 25.4 mm. **IMPORTANT:** Use only Original Equipment Manufacturer (O.E.M.) replacement parts. Failure to do so could be hazardous, damage your lawn mower and void your warranty.

**ROTARY LAWN MOWER - - MODEL NUMBER P53-65CMDE (96141007606) PRODUCT NUMBER 961 41 00-76**



# ROTARY LAWN MOWER - - MODEL NUMBER P53-65CMDE (96141007606) PRODUCT NUMBER 961 41 00-76



# ROTARY LAWN MOWER - - MODEL NUMBER P53-65CMDE (96141007606) PRODUCT NUMBER 961 41 00-76

KEY NO.	PART NO.	DESCRIPTION
1	532 18 45-88	Drive Control Assembly (Includes Cable)
4	532 15 87-55	Hex Washer Head Screw 1/4-20 x 2.12
6	532 15 04-95	Spring Retainer
7	532 19 17-30	Nut, Hex, Flanged 1/4-20
11	532 40 29-36	Wheel & Tire Assembly, Front, 8"
12	812 00 00-58	E-Ring
13	532 40 38-49	Pinion
14	532 18 94-03	Dust Cover
15	532 40 48-45	Pawl, Drive
16	532 06 77-25	Washer 1/2 x 1-1/2 x .134
17	532 40 48-31	Bearing, Wheel Adjuster
18	532 08 78-77	Selector Knob

KEY NO.	PART NO.	DESCRIPTION
27	532 17 52-62	Pan Head Tapping Screw #10-24 x 2-3/4
28	532 18 14-68	Drive Cover
29	532 17 54-36	V-Belt
33	532 40 91-48	Locknut, Hex
35	532 40 88-62	Kit, Wheel Adjuster, LH (Includes Knob and Bearing)
36	532 41 52-25	Gear Case Assembly, Complete
38	873 80 04-00	Locknut, Hex 1/4-20
40	532 13 70-90	Spring
41	532 40 88-61	Kit, Wheel Adjuster, RH (Includes Knob and Bearing)
54	532 40 19-05	Grassbag Assembly
57	532 41 19-50	Frame, Grassbag

**NOTE:** All component dimensions given in U.S. inches. 1 inch = 25.4 mm. **IMPORTANT:** Use only Original Equipment Manufacturer (O.E.M.) replacement parts. Failure to do so could be hazardous, damage your lawn mower and void your warranty.