

ILLUSTRATED PARTS LIST

MODEL NUMBER P53-650CMD

PRODUCT NUMBER 961 41 00-77

MFG. ID. NUMBER 96141007705

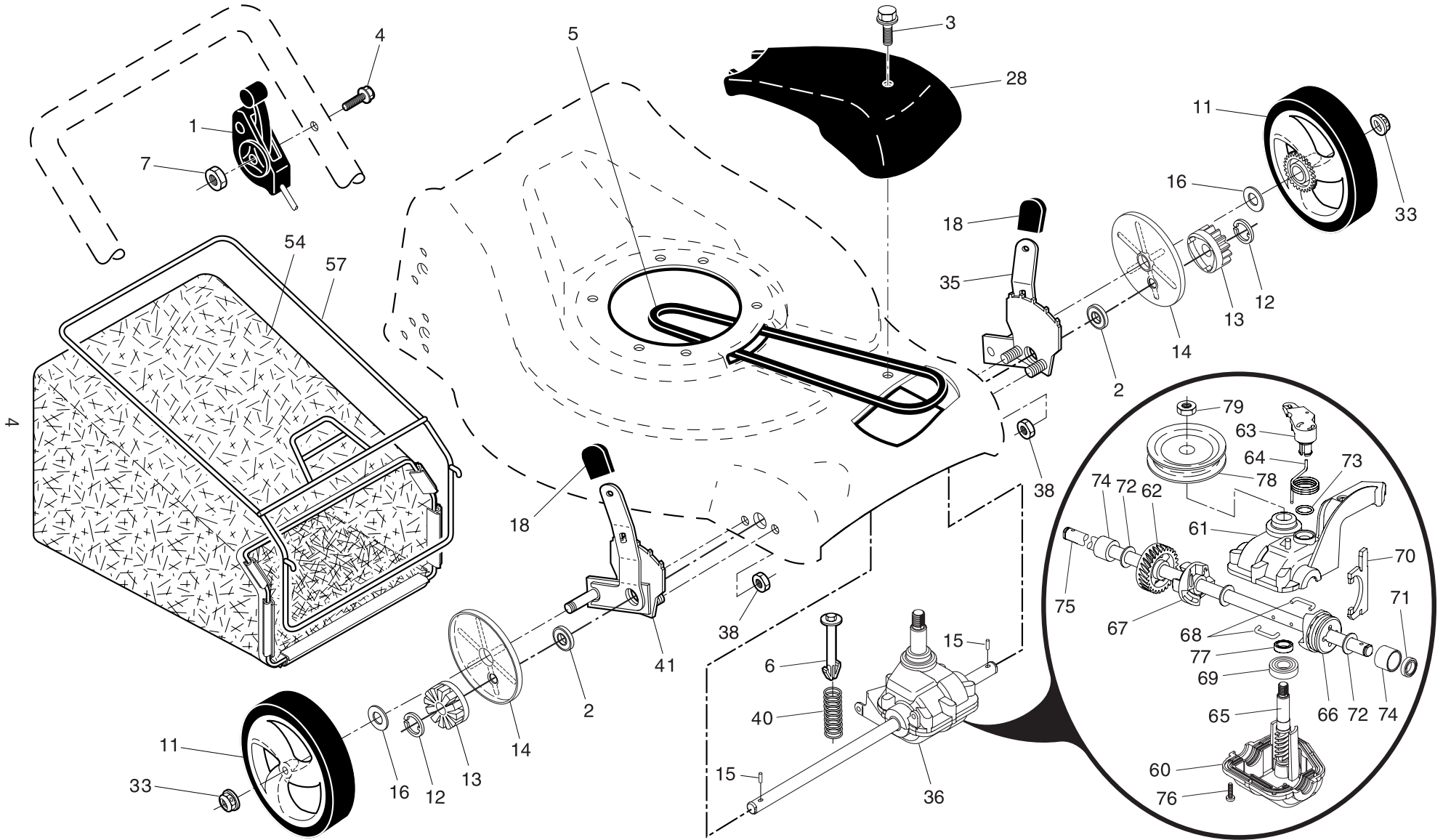
ROTARY LAWN MOWER - - MODEL NUMBER P53-650CMD (96141007705) PRODUCT NUMBER 961 41 00-77

KEY NO.	PART NO.	DESCRIPTION	KEY NO.	PART NO.	DESCRIPTION
1	532 40 29-37	Upper Handle	27	532 40 61-55	Wheel & Tire Assembly
2	532 15 36-05	Lower Handle	28	532 40 16-38	Shoulder Bolt 5/16-18 x .33
3	532 18 99-03	Control Bar	30	532 41 21-74	Axle Arm Assembly, Rear
4	532 18 35-67	Engine Zone Control Cable	31	532 08 78-77	Selector Knob
5	532 19 15-74	Handle Bolt	32	532 41 08-88	Selector Spring
6	532 19 19-38	Handle Knob	34	532 40 16-30	Washer
7	532 05 17-93	Hairpin Cotter	36	532 18 41-93	Bolt, Hex Head
8	532 06 64-26	Wire Tie	38	532 40 16-29	Spacer
9	532 40 69-85	Rear Door	39	532 15 53-77	Nut, Flange
10	532 12 84-15	Pop Rivet	40	532 19 09-39	Mounting Bracket, Debris Shield
11	532 41 05-40	Support Bracket, LH	41	532 19 23-25	Screw
12	532 41 05-42	Support Bracket, RH	43	532 40 58-45	Debris Shield
13	817 06 04-10	Screw 1/4-20 x 5/8	44	532 40 93-64	Kit, Lawn Mower Housing (Includes Key Numbers 10, 11, 12 and 45)
14	532 19 01-54	Handle Bracket Assembly, LH	45	532 18 21-66	Danger Decal
15	532 19 01-53	Handle Bracket Assembly, RH	46	532 40 46-33	Blade Adapter/Pulley
16	532 40 54-17	Spring, Rear Door, LH	47	532 19 93-77	Blade, 21"
17	532 40 54-18	Spring, Rear Door, RH	48	532 85 10-74	Hardened Washer
18	532 13 20-04	Keys Locknut 1/4-20	49	532 85 02-63	Helical Washer 3/8-24 x 1-3/8 Grade 8
19	532 19 47-88	Rope Guide	50	532 85 10-84	Hex Head Machine Screw 3/8-24 x 1-3/8 Grade 8
20	532 41 35-43	Foot Guard, C.E.	96	532 19 79-91	Clip, Cable
21	817 49 04-16	Screw, Tapping 1/4-20 x 1/2	--	532 18 21-34	Decal, Warning (not shown)
24	- - -	Engine, Briggs & Stratton, Model Number 124T02 (order parts from engine manufacturer)	--	532 41 62-67	Operator's Manual, Euro
25	532 15 04-06	Hex Head Thread Rolling Screw 3/8-16 x 1-1/8	--	532 41 62-66	Operator's Manual, Scandinavian
26	532 40 91-08	Hex Flange Nut	--	532 41 62-64	Operator's Manual, Baltic
			--	532 41 62-68	Operator's Manual, E-Bloc

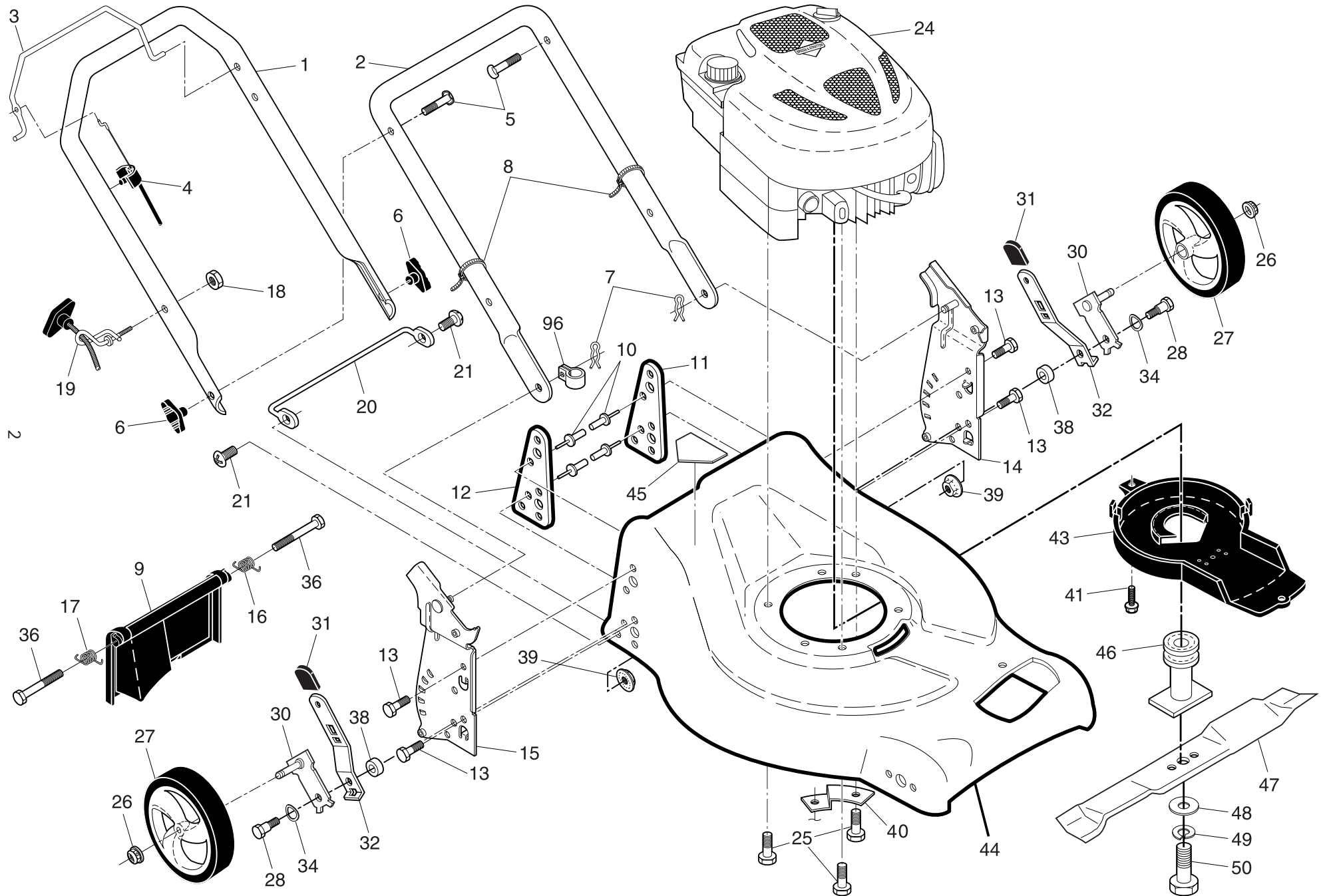
3

NOTE: All component dimensions given in U.S. inches. 1 inch = 25.4 mm. **IMPORTANT:** Use only Original Equipment Manufacturer (O.E.M.) replacement parts. Failure to do so could be hazardous, damage your lawn mower and void your warranty.

ROTARY LAWN MOWER - - MODEL NUMBER P53-650CMD (96141007705) PRODUCT NUMBER 961 41 00-77



ROTARY LAWN MOWER - - MODEL NUMBER P53-650CMD (96141007705) PRODUCT NUMBER 961 41 00-77



ROTARY LAWN MOWER - - MODEL NUMBER P53-650CMD (96141007705) PRODUCT NUMBER 961 41 00-77

KEY NO.	PART NO.	DESCRIPTION	KEY NO.	PART NO.	DESCRIPTION
1	532 18 45-88	Drive Control Cable	57	532 41 19-50	Frame, Grassbag
2	532 19 10-39	Bearing, Wheel Adjuster	60	532 18 34-97	Case, Lower
3	532 17 52-62	Pan Head Tapping Screw #10-24 x 2-3/4	61	532 18 34-98	Case, Upper
4	532 15 87-55	Hex Washer Head Screw	62	532 18 34-99	Gear, 27 Teeth
5	532 17 54-36	V-Belt	63	532 18 35-00	Lever, Clutch
6	532 15 04-95	Spring Retainer	64	532 18 35-01	Spring, Return
7	532 19 17-30	Nut, Hex, Flanged 1/4 - 20	65	532 41 69-88	Worm
33	532 40 91-48	Locknut, Hex	66	532 18 35-03	Dog, Movable
11	532 40 29-36	Wheel & Tire Assembly	67	532 18 35-04	Dog, Fixed
12	812 00 00-58	E-Ring	68	532 18 35-05	Wire, Formed
13	532 40 38-49	Pinion	69	532 18 35-06	Bearing, Ball
14	532 18 94-03	Dust Cover	70	532 18 35-07	Fork, Shift
15	532 40 48-45	Pawl, Drive	71	532 18 35-08	Seal, Output Shaft
16	532 06 77-25	Washer 1/2 x 1-1/2 x .134	72	532 18 35-09	Washer
18	532 08 78-77	Selector Knob	73	532 18 35-10	Seal, Case
28	532 18 14-68	Drive Cover	74	532 18 35-11	Bushing
35	532 40 88-62	Kit, Wheel Adjuster, LH (Includes Knob and Bearing)	75	532 19 66-13	Shaft, Output
36	532 41 52-25 *	Gearcase Assembly, Complete	76	532 18 35-13	Screw
38	873 80 04-00	Locknut, Hex 1/4-20	77	532 18 35-14	Seal, Input Shaft
40	532 13 70-90	Spring	78	532 41 69-87	Drive Pulley
41	532 40 88-61	Kit, Wheel Adjuster, RH (Includes Knob and Bearing)	79	532 41 69-86	Nut
54	532 40 19-05	Grassbag Assembly			

* We advise Total Multis EP00 semi-liquid grease or a comparable grade (quantity 1.15 oz).

NOTE: All component dimensions given in U.S. inches. 1 inch = 25.4 mm. **IMPORTANT:** Use only Original Equipment Manufacturer (O.E.M.) replacement parts. Failure to do so could be hazardous, damage your lawn mower and void your warranty.