

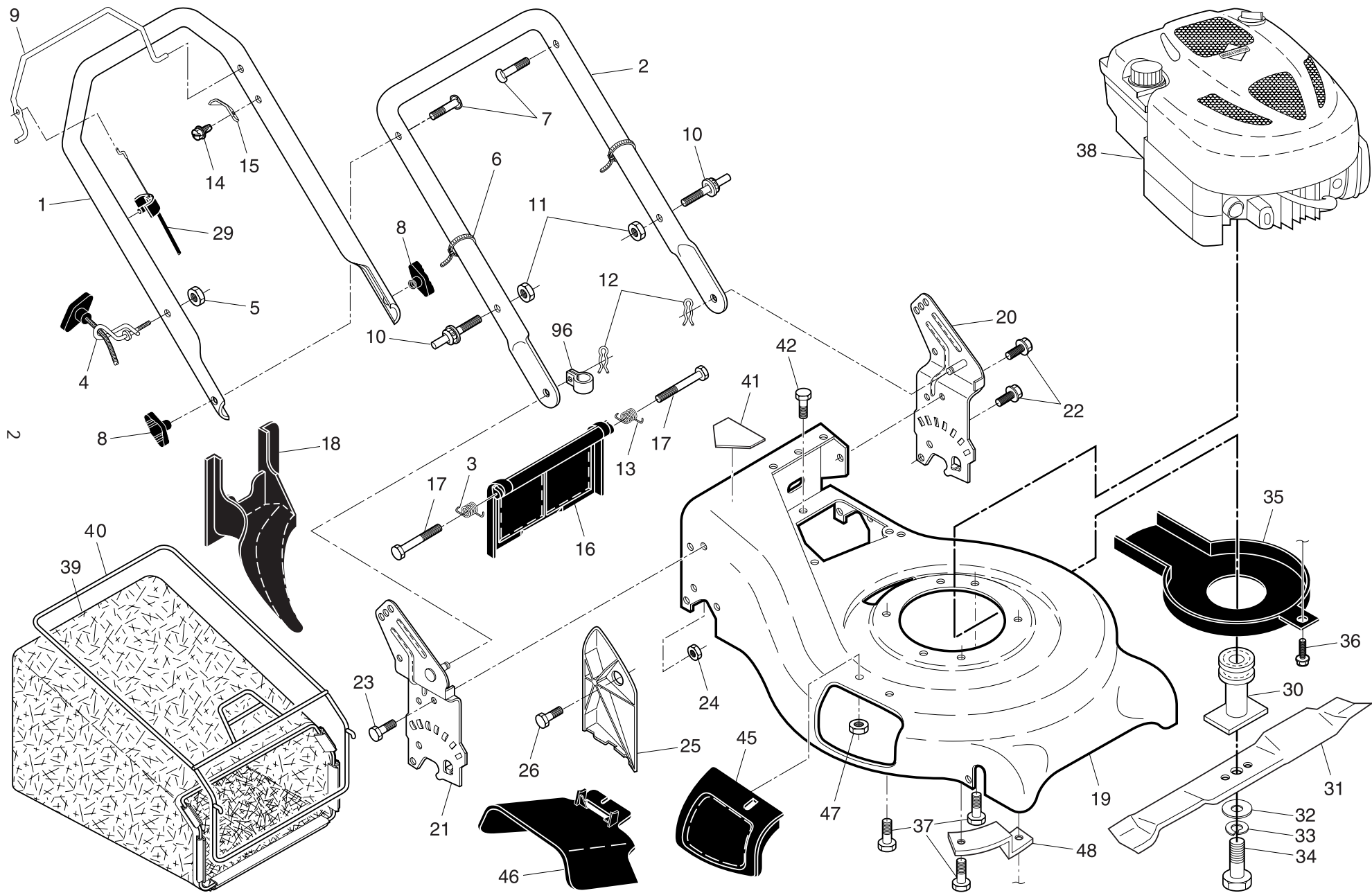
# ILLUSTRATED PARTS LIST

**MODEL NUMBER P53-625D**

**PRODUCT NUMBER 961 41 01-13**

**MFG. ID. NUMBER 96141011306**

# ROTARY LAWN MOWER - - MODEL NUMBER P53-625D (96141011306) PRODUCT NUMBER 961 41 01-13

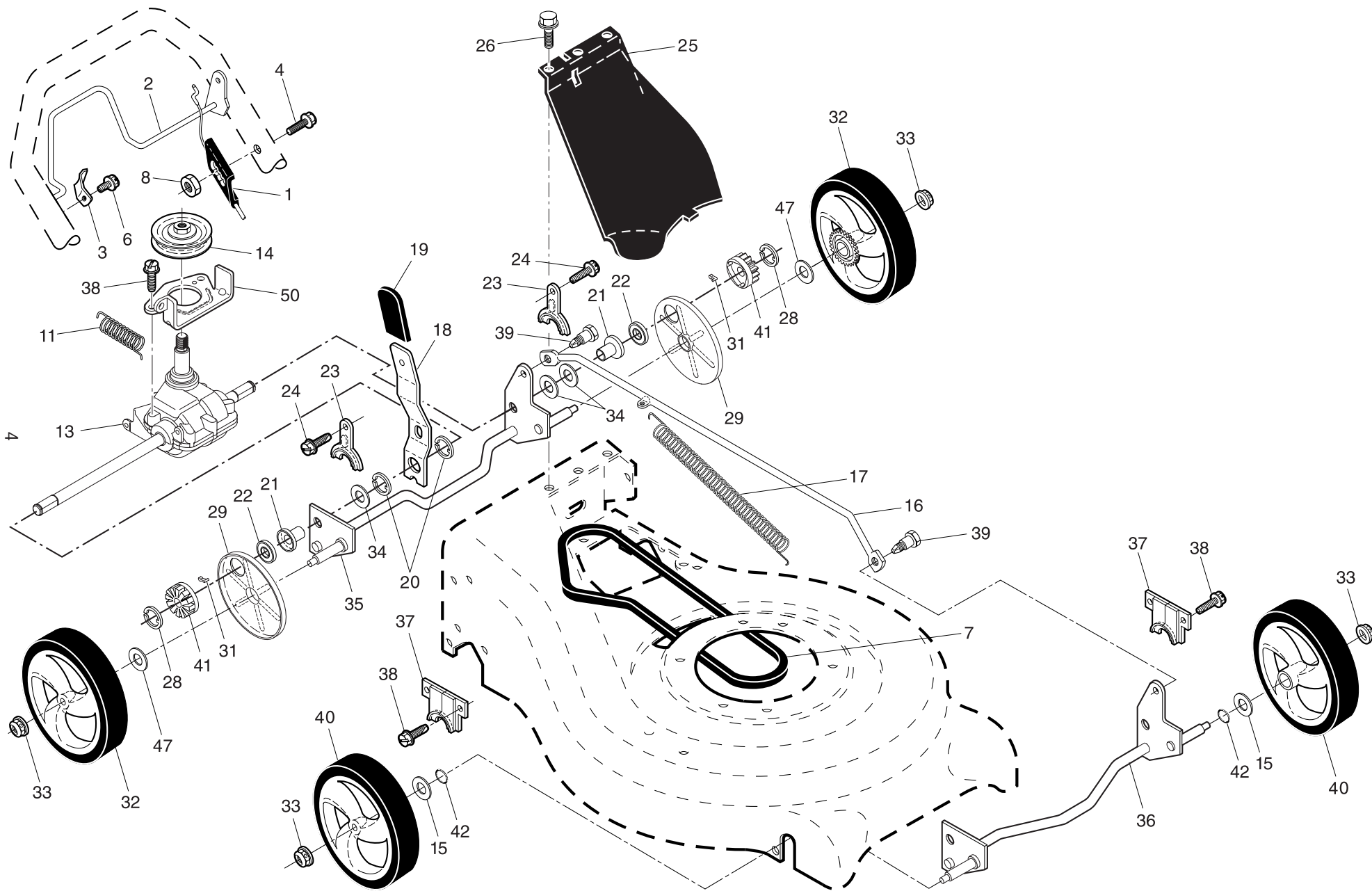


# ROTARY LAWN MOWER - - MODEL NUMBER P53-625D (96141011306) PRODUCT NUMBER 961 41 01-13

KEY NO.	PART NO.	DESCRIPTION	KEY NO.	PART NO.	DESCRIPTION
1	532 17 80-67	Handle, Upper	26	532 16 34-09	Screw #12 x 5/8
2	532 19 60-05	Handle, Lower	29	532 19 12-21	Cable, Engine Zone Control
3	532 40 54-16	Spring, Rear Door, RH	30	<b>532 42 11-76</b>	Adapter, Blade
4	532 19 47-88	Guide, Rope, Side	31	532 19 93-77	Blade, 21"
5	532 13 20-04	Nut, Hex, with Lockwasher Insert 1/4-20	32	532 85 10-74	Washer, Hardened
6	532 06 64-26	Wire Tie	33	532 85 02-63	Lockwasher, Helical Spring 3/8
7	532 19 15-74	Bolt, Handle 5/16-18 x 1.75	34	532 85 10-84	Screw, Hex Head 3/8-24 x 1.38
8	532 19 19-38	Knob, Handle	35	532 40 58-43	Shield, Debris
9	532 19 18-19	Bar, Control	36	532 19 23-25	Screw
10	532 18 88-21	Bolt, Carriage	37	532 15 04-06	Bolt, Engine
11	532 75 11-53	Nut, Hex, with Lockwasher Insert 5/16-18 UNC	38	- - -	Engine, Briggs & Stratton, Model Number 122T02 (Order parts from engine manufacturer)
12	532 05 17-93	Cotter, Hairpin	39	532 41 06-76	Grassbag
13	532 40 54-15	Spring, Rear Door, LH	40	532 41 19-51	Frame, Grassbag
14	532 75 06-34	Screw, Tapping, Hex Washer Head #10-24	41	532 18 21-66	Danger Decal
15	532 12 51-62	Bracket, Upstop	42	532 05 45-83	Screw
16	532 40 88-88	Rear Door Assembly	45	532 19 13-41	Mulcher Door
17	532 18 41-93	Bolt, Rear Door	46	532 19 12-10	Discharge Deflector
18	532 19 81-70	Plug, Mulcher	47	532 08 83-49	Locknut, Hex 1/4-20
19	532 40 97-33	Kit, Housing	48	532 19 09-39	Mounting, Bracket, Debris Sheild
20	532 19 40-29	Handle Bracket Assembly, LH	96	532 19 79-91	Clip, Cable
21	532 19 40-31	Handle Bracket Assembly, RH	--	532 18 21-34	Warning Decal (not shown)
22	532 15 00-78	Screw, Hex Washer Head	--	532 41 63-30	Operator's Manual, European
23	532 16 31-83	Bolt, Hex Head 5/16-18 x 5/8	--	532 41 63-31	Operator's Manual, Scandinavian
24	873 80 05-00	Nut, Hex, with Lockwasher Insert 5/16-18	--	532 41 63-32	Operator's Manual, East Bloc
25	532 16 13-33	Baffle, Side	--	532 41 63-33	Operator's Manual, Baltic

**NOTE:** All component dimensions given in U.S. inches. 1 inch = 25.4 mm. **IMPORTANT:** Use only Original Equipment Manufacturer (O.E.M.) replacement parts. Failure to do so could be hazardous, damage your lawn mower and void your warranty.

# ROTARY LAWN MOWER - - MODEL NUMBER P53-625D (96141011306) PRODUCT NUMBER 961 41 01-13



# ROTARY LAWN MOWER - - MODEL NUMBER P53-625D (96141011306) PRODUCT NUMBER 961 41 01-13

KEY NO.	PART NO.	DESCRIPTION
1	532 40 65-31	Cable, Drive Control
2	<b>532 41 78-19</b>	Bar, Control, Drive
3	532 16 45-57	Bracket, Downstop
4	532 19 96-87	Screw 1/4-20 x 1.5
6	532 75 06-34	Screw, Threaded, Rolled #10-25 x .50
7	532 40 65-57	V-Belt
8	532 19 17-30	Nut 1/4-20
11	532 40 65-58	Spring
13	<b>532 41 92-13</b>	Gearcase Assembly, Complete
14	532 40 57-03	Pulley, Driven
15	532 08 83-48	Washer, Flat
16	532 40 71-47	Rod, Connecting
17	532 40 96-16	Spring, Extension
18	<b>532 41 88-66</b>	Spring, Selector
19	532 19 00-69	Knob, Selector Spring
20	812 00 00-22	E-Ring 7/8
21	532 41 24-50	Support, Bearing
22	532 19 10-39	Bearing, Ball
23	532 16 45-55	Retainer, Drive Assembly, Stamped

KEY NO.	PART NO.	DESCRIPTION
24	<b>817 06 04-10</b>	Screw, Tapping, Hex Head 1/4-20 x 5/8
25	532 40 28-07	Cover, Drive
26	532 75 06-34	Screw, Threaded, Rolled #10-25 x .50
28	812 00 00-58	E-Ring 7/16
29	532 18 94-03	Cover, Dust, Wheel
31	532 40 48-45	Pawl, Drive
32	532 41 37-23	Wheel & Tire Assembly, Rear, Driven 8 x 1.75
33	532 40 91-48	Nut, Hex, Flangelock
34	532 85 12-26	Flat Washer
35	532 41 09-22	Shaft Assembly, Rear
36	532 41 09-33	Shaft Assembly, Front
37	532 16 14-63	Retainer, Front Shaft
38	532 16 34-09	Screw, Hi-Lo Thread #12 x 5/8
39	532 40 70-59	Bolt, Shoulder
40	532 41 09-21	Wheel & Tire Assembly, Front 8 x 1.75
41	532 40 48-35	Pinion
42	532 19 74-80	O-Ring
47	532 06 77-25	Washer, Felt
50	532 41 37-22	Belt Keeper

5

**NOTE:** All component dimensions given in U.S. inches. 1 inch = 25.4 mm. **IMPORTANT:** Use only Original Equipment Manufacturer (O.E.M.) replacement parts. Failure to do so could be hazardous, damage your lawn mower and void your warranty.