

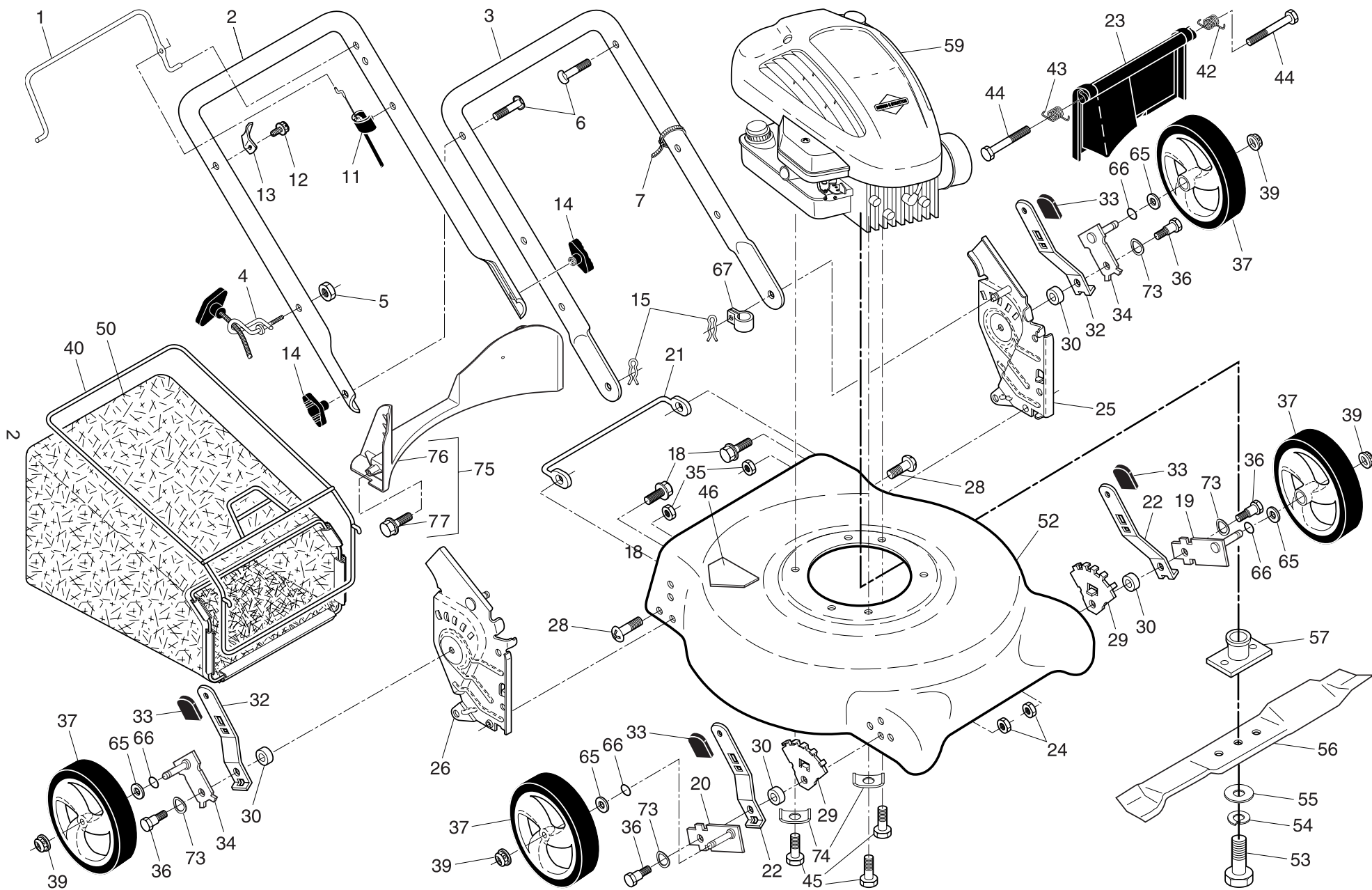
ILLUSTRATED PARTS LIST

MODEL NUMBER P53-550CM

PRODUCT NUMBER 961 31 00-16

MFG. ID. NUMBER 96131001604

ROTARY LAWN MOWER - MODEL NUMBER P53-550CM (96131001604) PRODUCT NUMBER 961 31 00-16



ROTARY LAWN MOWER - MODEL NUMBER P53-550CM (96131001604) PRODUCT NUMBER 961 31 00-16

KEY NO.	PART NO.	DESCRIPTION	KEY NO.	PART NO.	DESCRIPTION
1	532 19 55-74	Control Bar	37	532 40 34-95	Wheel & Tire Assembly
2	532 19 55-47	Upper Handle	39	532 40 91-48	Flanged Locknut, Hex
3	532 17 42-91	Lower Handle	40	532 41 19-49	Frame, Grassbag
4	532 19 47-88	Rope Guide	42	532 40 54-21	Spring, Rear Door, LH
5	532 13 20-04	Locknut, Hex 1/4-20	43	532 40 54-23	Spring, Rear Door, RH
6	532 19 15-74	Handle Bolt	44	532 18 41-93	Bolt, Rear Door
7	532 06 64-26	Wire Tie	45	532 15 04-06	Hex Head Thread Rolling Screw 3/8-16 x 1
11	532 17 65-56	Engine Zone Control Cable	46	532 18 21-66	Danger Decal
12	532 75 06-34	Hex Washer Head Screw #10-24 x 1/2	50	532 40 20-24	Grassbag
13	532 12 52-03	Up-Stop Bracket	52	532 41 39-00	Kit, Lawn Housing Assembly (Includes Key Number 46)
14	532 19 19-38	Handle Knob	53	532 85 10-84	Hex Head Screw 3/8-24 x 1-3/8 Grade 8
15	532 05 17-93	Hairpin Cotter	54	532 85 02-63	Helical Lockwasher
18	817 60 04-06	Screw	55	532 85 10-74	Hardened Washer
19	532 40 66-89	Axle Arm Assembly, Front, LH	56	532 16 58-33	21" Blade
20	532 40 66-90	Axle Arm Assembly, Front, RH	57	532 19 38-25	Blade Adapter
21	532 41 35-43	Footguard	59	- - -	Engine, Briggs & Stratton, Model Number 10T702 (Order parts from engine manufacturer)
22	532 40 64-28	Selector Spring, Front	65	532 08 83-48	Washer, Flat
23	532 41 06-03	Rear Door Assembly	66	532 19 74-80	O-Ring
24	532 16 67-85	Locknut, Hex 5/16-18	67	532 19 79-91	Clip, Cable
25	532 41 35-64	Handle Bracket Assembly, LH	73	532 40 16-30	Washer, Flat
26	532 41 35-65	Handle Bracket Assembly, RH	74	532 12 50-78	Washer, Special, Engine, Zinc-Plated
28	532 05 45-83	Screw	75	532 41 36-93	Kit, Rear Baffle (Includes 3 Screws)
29	532 41 05-94	Wheel Adjusting Bracket, Front	76	532 41 05-89	Baffle, Rear
30	532 40 16-29	Spacer	77	817 41 13-12	Screw, Rear Baffle
32	532 41 08-88	Selector Spring, Rear	--	532 41 62-39	Operator's Manual, European
33	532 08 78-77	Selector Knob	--	532 41 62-40	Operator's Manual, Scandinavian
34	532 41 08-90	Axle Arm Assembly, Rear, LH	--	532 41 62-42	Operator's Manual, East Bloc
35	873 93-05-00	Nut, Hex	--	532 41 62-41	Operator's Manual, Baltic
36	532 40 16-38	Shoulder Bolt 5/16-18			

NOTE: All component dimensions given in U.S. inches. 1 inch = 25.4 mm. **IMPORTANT:** Use only Original Equipment Manufacturer (O.E.M.) replacement parts. Failure to do so could be hazardous, damage your lawn mower and void your warranty.