

ILLUSTRATED PARTS LIST

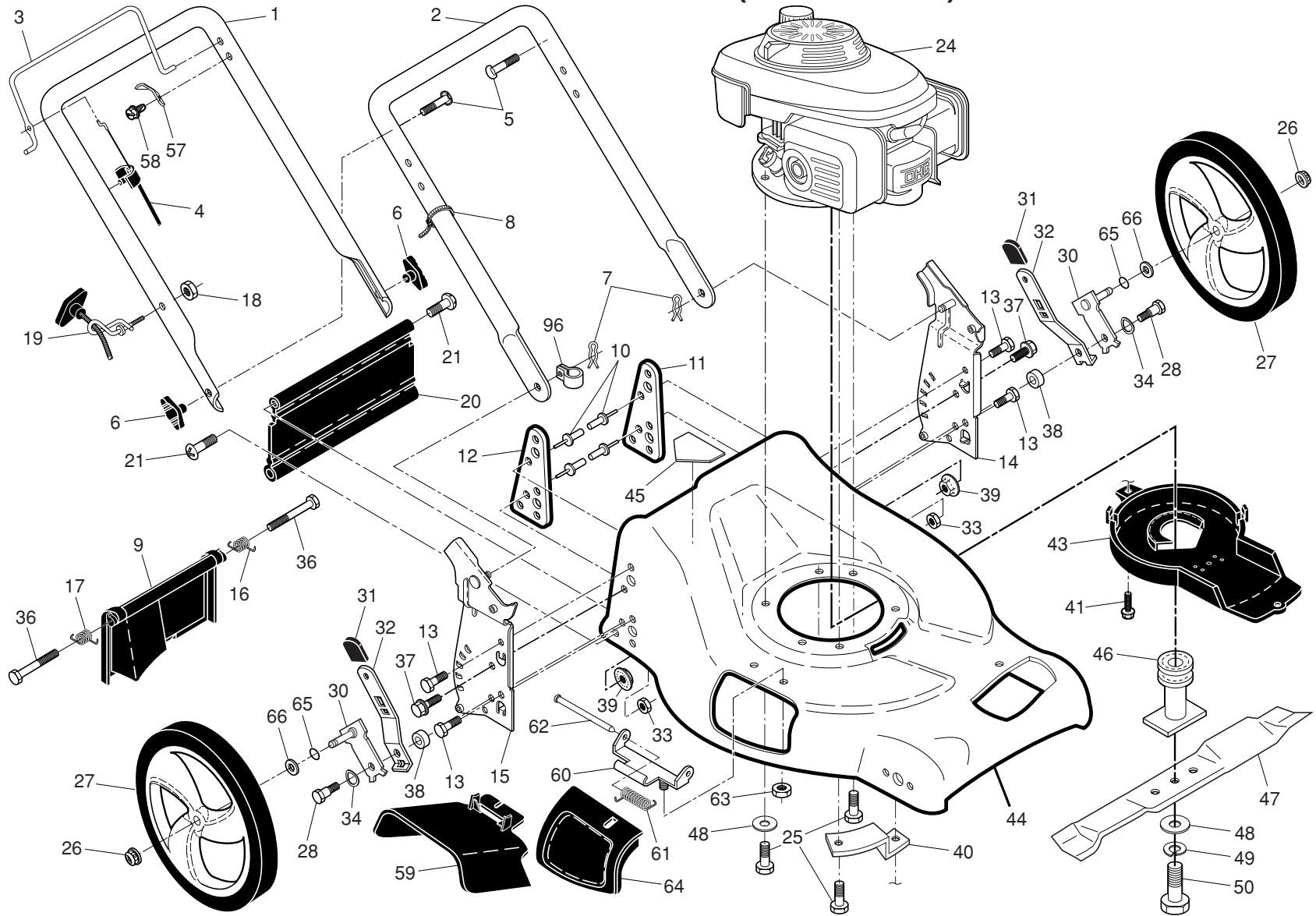
MODEL NUMBER P53-160DW

PRODUCT NUMBER 961 41 01-53

MFG. ID. NUMBER 96141015304

ROTARY LAWN MOWER - - MODEL NO. P53-106DW (96141015304) - PRODUCT NO. 961 41 01-53

2



ROTARY LAWN MOWER - - MODEL NO. **P53-106DW** (96141015304) - PRODUCT NO. 961 41 01-53

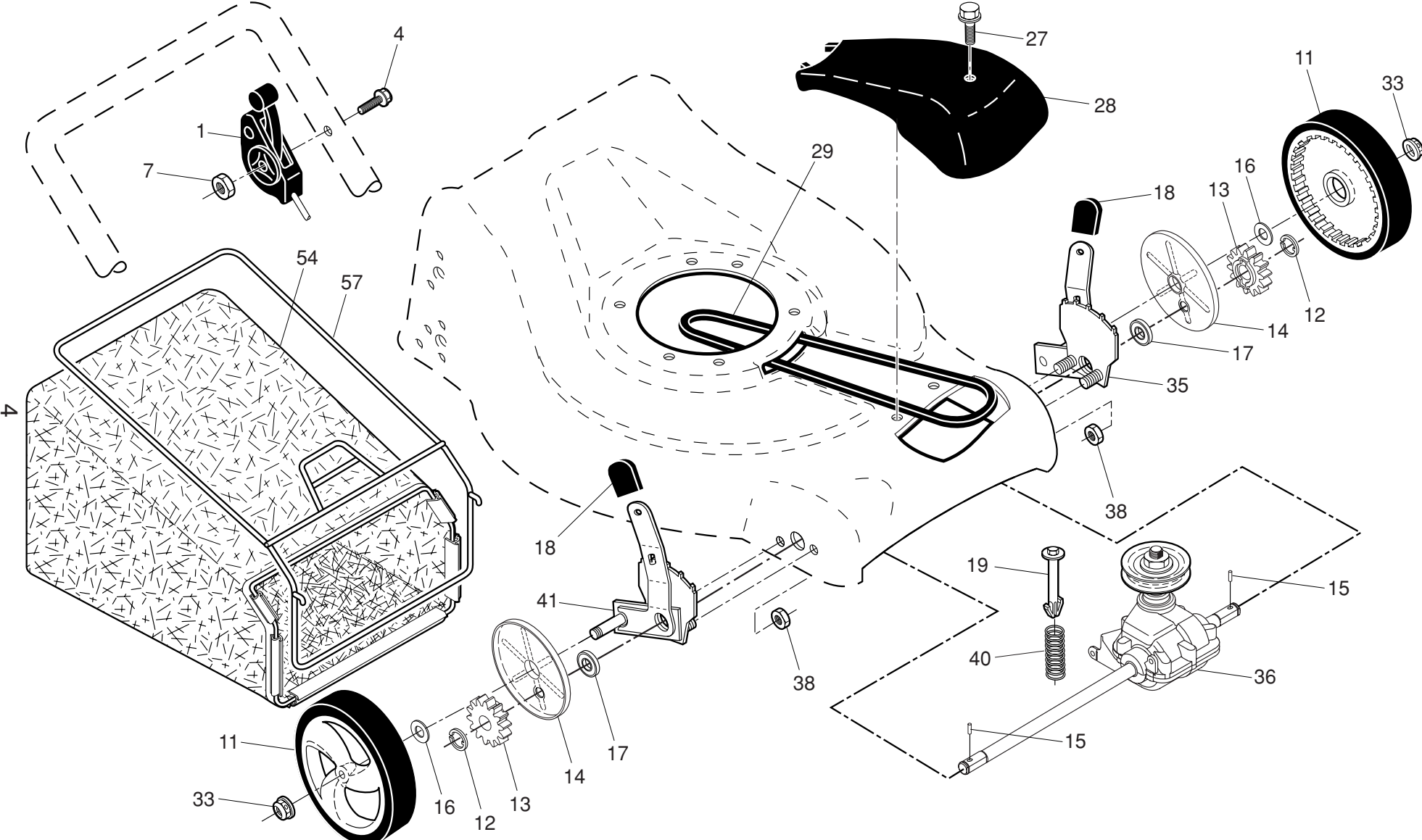
3

KEY NO.	PART NO.	DESCRIPTION	KEY NO.	PART NO.	DESCRIPTION
1	532 40 29-37	Upper Handle	34	532 40 16-30	Washer, Curved, Cylindrical
2	532 15 36-05	Lower Handle	36	532 18 41-93	Bolt
3	532 18 99-03	Control Bar	37	874 78 05-12	Thread Cutting Screw w/Sems 5/16-18 x 3/4
4	532 18 35-67	Cable, Engine Zone Control	38	532 40 16-29	Spacer
5	532 19 15-74	Handle Bolt	39	532 15 53-77	Nut, Hex 5/16-18
6	532 19 19-38	Handle Knob	40	532 19 09-39	Mounting Bracket, Debris Shield
7	532 05 17-93	Hairpin Cotter	41	532 19 23-25	Screw, Hex Washer Head
8	532 06 64-26	Wire Tie	43	532 40 58-45	Debris Shield
9	532 40 69-85	Rear Door Kit (Includes Key Numbers 16 & 17)	44	532 40 92-65	Kit, Lawn Mower Housing (Includes Key Numbers 10, 11, 12 and 45)
10	532 12 84-15	Pop Rivet	45	532 18 21-66	Danger Decal
11	532 41 05-40	Support Bracket, LH	46	532 40 46-33	Blade Adapter
12	532 41 05-42	Support Bracket, RH	47	532 19 93-77	Blade, 21"
13	817 06 04-10	Screw 1/4-20 x 5/8	48	532 85 10-74	Hardened Washer
14	532 18 25-43	Handle Bracket Assembly, LH	49	532 85 02-63	Helical Washer 3/8-24 x 1-3/8 Grade 8
15	532 18 25-45	Handle Bracket Assembly, RH	50	532 85 10-84	Machine Screw, Hex 3/8-24 x 1-3/8 Grade 8
16	532 40 54-17	Spring, Rear Door, LH	59	532 17 50-71	Discharge Deflector
17	532 40 54-18	Spring, Rear Door, RH	60	532 17 57-35	Hinge Bracket
18	532 13 20-04	Locknut, Hex, Keys 1/4-20	61	532 19 30-00	Spring, Hinge
19	532 19 47-88	Rope Guide	62	532 17 56-50	Rod, Hinge
20	532 41 35-43	Foot Guard, C.E.	63	873 80 04-00	Nut, Hex
21	817 49 04-16	Screw, Tapping 1/4-20 x 1/2	64	532 17 50-66	Mulcher Door
24	- - -	Engine, Honda, Model Number GCV160 (order parts from engine manufacturer)	65	532 19 74-80	O-Ring
25	532 15 04-06	Screw, Hex Head, Rolled 3/8-16 x 1-1/8	66	532 08 83-48	Washer, Flat 3/8
26	532 40 91-49	Nut, Hex, Flanged	96	532 19 79-91	Clip, Cable
27	532 40 35-09	Wheel & Tire Assembly, Rear 12"	--	532 18 21-34	Decal, Self-Propelled, Internal (not shown)
28	532 40 16-38	Shoulder Bolt 5/16-18 x .33	--	532 41 64-06	Operator's Manual, European
30	532 41 31-41	Axle Arm Assembly, Rear	--	532 41 64-07	Operator's Manual, Scandinavian
31	532 08 78-77	Selector Knob	--	532 41 64-09	Operator's Manual, East Bloc
32	532 40 98-89	Selector Spring	--	532 41 64-08	Operator's Manual, Baltic
33	873 80 05-00	Locknut, Hex			

NOTE: All component dimensions given in U.S. inches. 1 inch = 25.4 mm.

IMPORTANT: Use only Original Equipment Manufacturer (O.E.M.) replacement parts. Failure to do so could be hazardous, damage your lawn mower and void your warranty.

ROTARY LAWN MOWER - - MODEL NO. P53-106DW (96141015304) - PRODUCT NO. 961 41 01-53



ROTARY LAWN MOWER - - MODEL NO. **P53-106DW** (96141015304) - PRODUCT NO. 961 41 01-53

5

KEY NO.	PART NO.	DESCRIPTION	KEY NO.	PART NO.	DESCRIPTION
1	532 18 45-87	Cable Assembly, Drive Control	15	532 40 48-45	Pawl, Drive
2	532 19 10-39	Bearing, Wheel Adjuster	16	532 06 77-25	Washer 1/2 x 1-1/2 x .134
3	532 17 52-62	Pan Head Tapping Screw #10-24 x 2-3/4	18	532 08 78-77	Selector Knob
4	532 15 87-55	Hex Washer Head Screw 1/4-20 x 2.12	28	532 18 14-67	Drive Cover
5	532 17 54-36	V-Belt	35	532 40 88-62	Kit, Wheel Adjuster, LH (Includes Knob and Bearing)
6	532 15 04-95	Spring Retainer	36	532 41 52-25	Gear Case Assembly (See Breakdown)
7	532 19 17-30	Nut, Hex, Flanged 1/4-20	38	873 80 04-00	Locknut, Hex 1/4-20
9	532 40 91-48	Locknut, Hex	40	532 13 70-90	Spring
11	532 40 29-36	Wheel & Tire Assembly, Front 8"	41	532 40 88-61	Kit, Wheel Adjuster, RH (Includes Knob and Bearing)
12	812 00 00-58	E-Ring	54	532 19 48-53	Grassbag Assembly
13	532 40 38-49	Pinion	55	532 41 19-50	Frame, Grassbag
14	532 18 94-03	Dust Cover			

NOTE: All component dimensions given in U.S. inches. 1 inch = 25.4 mm.

IMPORTANT: Use only Original Equipment Manufacturer (O.E.M.) replacement parts. Failure to do so could be hazardous, damage your lawn mower and void your warranty.