

PNC

966842901

ML

00

Model

P 51-675 CMDA

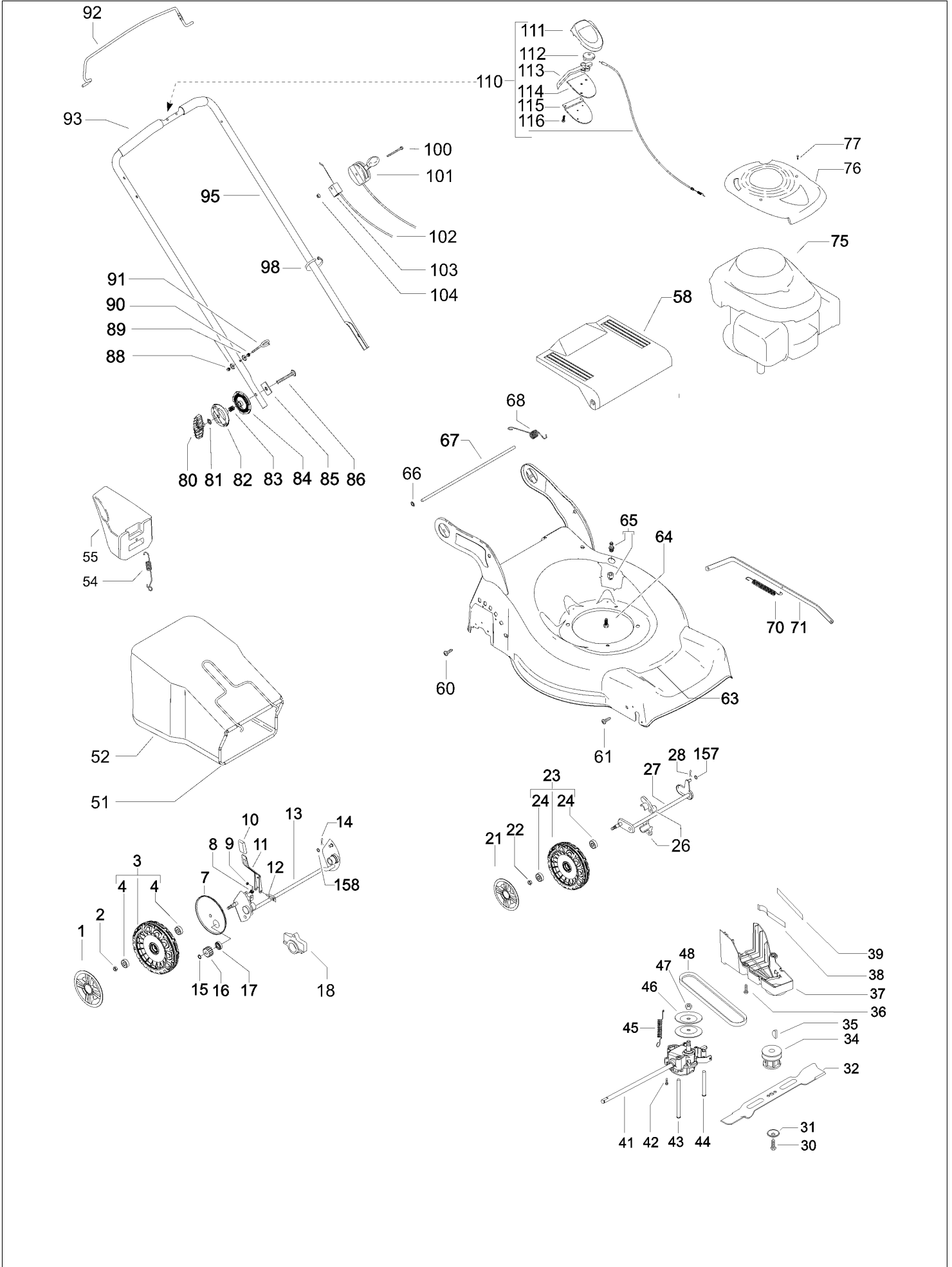
Brand

Partner

Number of Pages 1 of 3

Factory:	IIQ - Valmadrera	Product Group:	OP 93
Publication Number:	AIPL2008_V190000004	Petrol Portable	
Publication Date:	07/05/08	Sub Group	1071

HUSQVARNA OUTDOOR PRODUCTS ITALIA SPA



HUSQVARNA OUTDOOR PRODUCTS ITALIA SPA

Item	PN	Description	Qty	Item	PN	Description	Qty
1	544 44 62-04	wheel cover Ø210	2	76	531 21 39-99	engine cover	1
2	504 85 78-01	nut M8, self locking, flanged	2	77	531 21 39-34	engine cover screw	2
3	544 91 69-01	wheel assy Ø210	2	80	531 20 58-40	handle	2
4	504 54 82-01	ball bearing	2	81	531 20 49-22	washer	2
7	504 82 73-01	dust shield Ø210	2	82	531 21 14-74	locking disc, outer	2
8	531 21 08-17	spring, wheel regulator lever	1	83	531 21 14-76	spring	2
9	531 20 84-92	nut M5, self locking	1	84	531 21 14-73	locking disc, inner	2
10	531 20 79-86	handle, wheel regulator	1	85	531 21 15-81	plate	2
11	501 97 99-01	wheel regulator lever	1	86	531 21 14-80	screw M8x55	2
12	538 23 58-07	screw M5x45	1	88	531 20 84-91	nut M6 self	2
13	504 80 01-01	rear axle	1	89	531 20 49-61	washer	4
14	531 20 66-53	cotter pin	1	90	531 20 71-65	nut M6	2
15	531 20 87-72	seeger	2	91	531 20 51-69	starter cable guide	2
16	544 34 23-01	gear	2	92	544 46 38-04	brake lever	1
17	531 20 87-78	ball bearing	2	93	544 91 34-01	sheating, handle	2
18	531 20 59-44	rear axle housing	2	95	544 91 48-02	handle	1
21	544 44 76-04	wheel cover Ø190	2	98	531 20 55-81	binder	2
22	504 85 78-01	nut M8, self locking, flanged	2	100	531 20 62-12	screw M5x60	1
23	544 91 73-01	wheel assy Ø190	2	101	531 20 62-10	accelerator lever and cable	1
24	531 20 87-78	ball bearing	2	102	531 21 35-22	brake cable	1
26	531 20 50-57	front axle housing	4	103	531 20 80-43	cable support	1
27	504 85 65-01	front axle	1	104	531 20 52-13	nut M5	1
28	531 20 66-53	cotter pin	1	105	531 20 66-66	washer	1
30	531 20 80-08	screw, 3/8"	1	110	544 93 29-07	EZ control assy	1
31	531 20 72-37	spring washer	1	111	532 41 35-42	cover	1
32	504 11 33-01	mulching blade	1	112	532 18 73-53	pulley	1
34	531 20 61-69	blade support	1	113	505 53 12-01	lever	1
35	531 20 49-07	key	1	114	532 41 35-41	plate	1
36	531 20 78-56	screw 5x10	3	115	532 18 70-97	holder	1
37	544 46 23-01	belt cover	1	116	532 18 16-98	screw	5
38	504 04 61-01	belt guide	1	157	531 20 49-06	washer	1
39	544 46 25-01	belt guide	1	158	531 20 49-06	washer	1
41	544 34 32-03	gear box	1				
42	510 03 75-01	screw 4x16, self threading	2				
43	504 10 31-01	belt guide	1				
44	544 93 43-01	belt guide	1				
45	544 93 47-01	gear box spring	1				
46	504 54 79-01	pulley plate	2				
47	504 54 80-01	nut	1				
48	504 10 33-01	belt Z30 10X765	1				
51	531 21 32-62	sack frame	1				
52	531 21 32-64	sack	1				
54	531 21 11-91	spring, mulching plug	1				
55	531 21 33-93	mulching plug	1				
58	531 21 38-91	safety flap	1				
60	531 20 66-77	screw	2				
61	531 20 88-44	screw 4,3x16, self threading	4				
63	531 21 39-47	deck	1				
64	531 21 28-51	screw 3/8" + split washer	3				
65	531 20 58-48	snap on connector 1/2"	1				
66	531 20 76-57	washer	2				
67	531 20 50-60	safety flap bar	1				
68	531 21 18-40	spring	1				
70	531 20 50-56	wheel regulation spring	1				
71	531 21 32-63	wheel regulation bar	1				
75	—	engine, Briggs & Stratton, model number 126T021837	1				