

**PNC**

966483201

**ML**

00

**Model**

P 51-675 CMD Alu

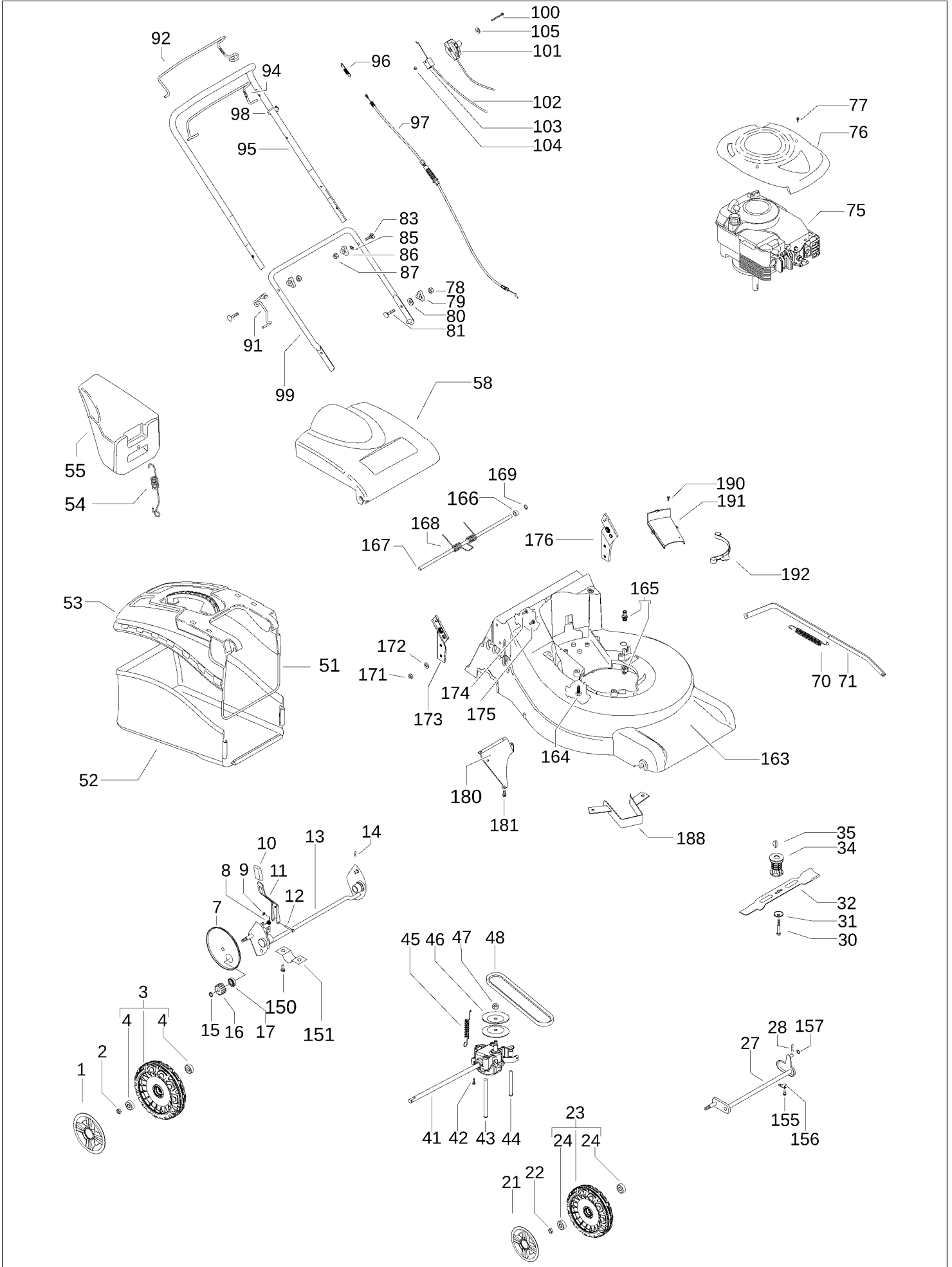
**Brand**

Partner

**Number of Pages 1 of 3**

<b>Factory:</b>	<b>IIQ - Valmadrera</b>	<b>Product Group:</b>	<b>OP 93</b>
<b>Publication Number:</b>	<b>AIPL2009_V460000006</b>	<b>Petrol Portable</b>	
<b>Publication Date:</b>	<b>12/11/09</b>	<b>Sub Group</b>	<b>1071</b>

HUSQVARNA OUTDOOR PRODUCTS ITALIA SPA



## HUSQVARNA OUTDOOR PRODUCTS ITALIA SPA

Item	PN	Description	Qty	Item	PN	Description	Qty
1	544 44 62-04	wheel cover Ø210	2	94	504 70 83-04	brake lever	1
2	504 85 78-01	nut M8, self locking, flanged	2	95	504 85 34-01	handle, upper	1
3	544 91 69-01	wheel assy Ø210	2	96	531 21 05-73	spring, clutch	1
4	504 54 82-01	ball bearing	2	97	544 90 80-03	drive cable	1
7	504 82 73-01	dust shield Ø210	2	98	531 20 55-81	binder	2
8	531 21 08-17	spring, wheel regulator lever	1	99	531 20 51-18	handle, lower	1
9	531 20 84-92	nut M5, self locking	1	100	531 20 62-12	screw M5x80	1
10	531 20 79-86	handle, wheel regulator	1	101	531 20 62-10	accelerator lever and cable	1
11	501 97 99-01	wheel regulator lever	1	102	531 21 35-22	brake cable	1
12	538 23 58-07	screw M5x45	1	103	531 20 80-43	cable support	1
13	504 80 01-01	rear axle	1	104	501 20 52-13	nut M5	1
14	531 20 66-53	cotter pin	1	105	531 20 66-66	washer	1
15	531 20 87-72	seeger	2	150	531 20 73-85	screw	4
16	544 34 23-01	gear	2	151	531 20 66-52	rear axle holder	2
17	531 20 87-78	ball bearing	2	155	531 20 78-56	screw	4
21	544 44 76-04	wheel cover Ø190	2	156	531 20 55-36	front axle holder	2
22	504 85 78-01	nut M8, self locking, flanged	2	157	531 20 49-06	washer	2
23	544 91 73-01	wheel assy Ø190	2	163	531 21 33-40	deck	1
24	531 20 87-78	ball bearing	2	164	531 21 38-45	screw 3/8 + split washer	3
27	504 85 65-01	front axle	1	165	531 20 58-48	snap on connector 1/2"	1
28	531 20 66-53	cotter pin	1	166	531 21 19-66	spacer	1
30	531 20 66-49	screw, 3/8"	1	167	531 21 33-44	safety flap bar	1
31	531 20 72-37	spring washer	1	168	501 32 25-01	spring	1
32	504 11 33-01	mulching blade	1	169	531 20 76-57	washer	2
34	531 20 78-48	blade support	1	171	531 20 79-82	nut M8	4
35	505 29 09-01	key	1	172	531 20 79-81	washer	4
41	544 42 89-03	gear box	1	173	531 20 65-36	handle support dx	1
42	510 03 75-01	screw 4x16, self threading	2	174	531 20 57-41	screw M8x16	2
43	504 10 32-01	belt guide D10x200	1	175	531 20 49-21	screw M8x25	2
44	544 93 43-01	belt guide D8	1	176	531 20 65-38	handle support sx	1
45	544 93 47-01	gear box spring	1	180	501 96 60-01	deflector	1
46	504 54 79-01	pulley plate	2	181	531 20 78-56	screw	3
47	504 54 80-01	nut	1	188	544 46 86-01	belt guide	1
48	504 03 51-01	belt Z33 10X825	1	190	531 20 78-56	screw	2
51	501 32 24-01	sack frame	1	191	531 21 32-25	belt cover	1
52	531 21 32-11	sack	1	192	531 20 63-08	cover	1
53	501 32 21-01	sack cover	1				
58	501 32 23-04	safety flap	1				
59	531 20 58-31	spring, mulching plug	1				
60	531 21 32-26	mulching plug	1				
70	531 20 57-15	wheel regulation spring	1				
71	531 21 32-22	wheel regulation bar	1				
75	—	engine, Briggs & Stratton, model number 126T024837	1				
76	531 21 39-99	engine cover	1				
77	531 21 39-34	engine cover screw	2				
78	531 20 79-82	nut M8	1				
79	531 20 49-23	knob	2				
80	531 20 49-22	washer	2				
81	531 20 49-21	screw M8x25	2				
83	531 20 70-89	screw M8x50	2				
85	531 20 70-90	washer	2				
86	531 20 49-23	knob	2				
87	531 20 79-82	nut M8	2				
91	504 70 86-01	starter cable guide	1				
92	504 70 84-01	clutch lever	1				