

PNC

966874701

ML

00

Model

P 51-675 CDA

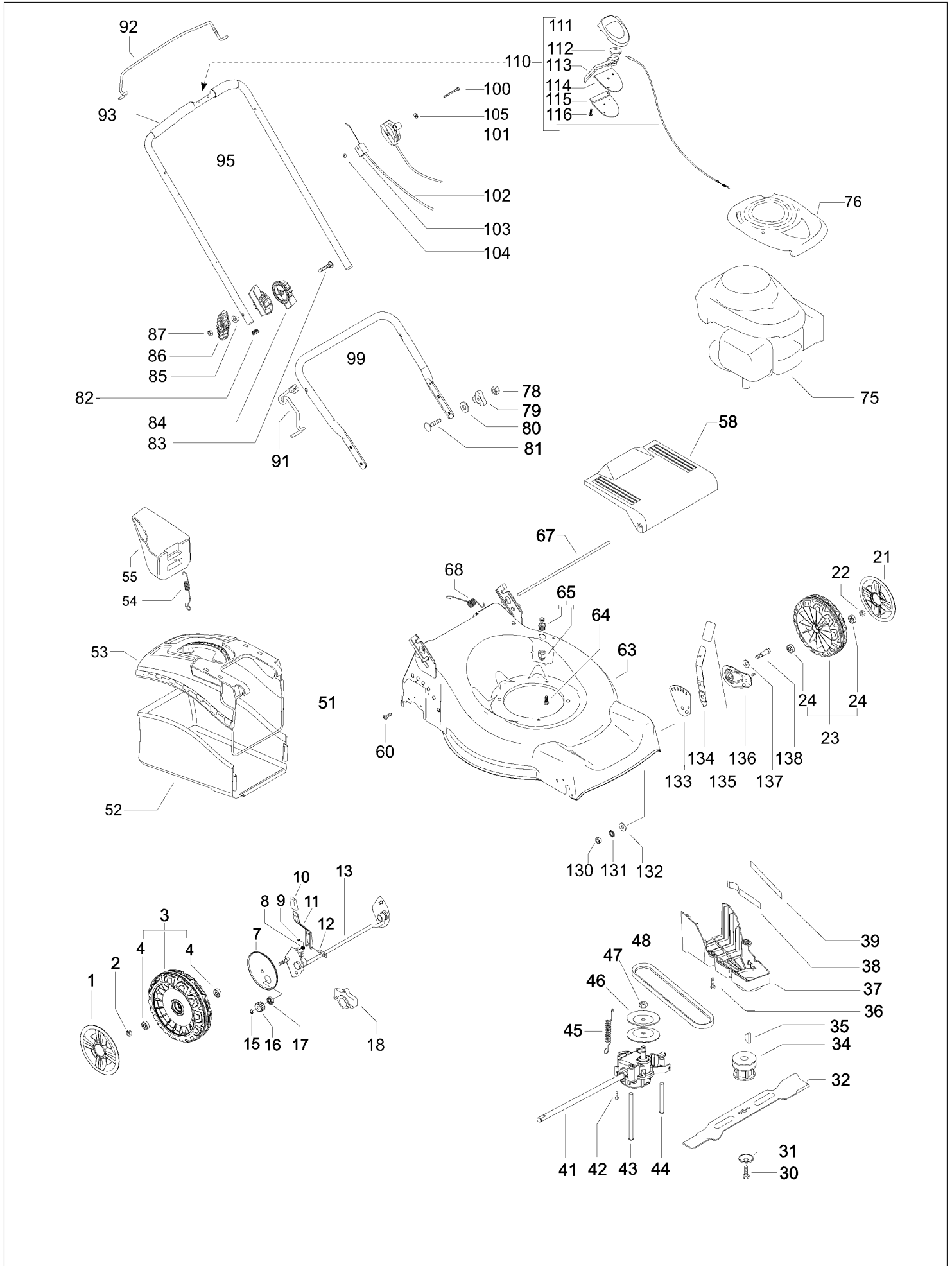
Brand

Partner

Number of Pages 1 of 3

Factory:	IIQ - Valmadrera	Product Group:	OP 93
Publication Number:	AIPL2008_V190000005	Petrol Portable	
Publication Date:	08/05/08	Sub Group	1071

HUSQVARNA OUTDOOR PRODUCTS ITALIA SPA



HUSQVARNA OUTDOOR PRODUCTS ITALIA SPA

Item	PN	Description	Qty	Item	PN	Description	Qty
1	544 44 62-04	wheel cover Ø210	2	83	531 20 58-42	screw 8x75	2
2	504 85 78-01	nut M8, self locking, flanged	2	84	531 20 58-39	locking disc, one half	4
3	544 91 69-01	wheel assy Ø210	2	85	531 20 58-41	washer	2
4	504 54 82-01	ball bearing	2	86	531 20 58-40	knob	2
7	504 82 73-01	dust shield Ø210	2	87	531 20 79-82	nut M8	2
8	531 21 08-17	spring, wheel regulator lever	1	91	504 70 86-01	starter cable guide	1
9	531 20 84-92	nut M5, self locking	1	92	544 46 38-04	brake lever	1
10	531 20 79-86	handle, wheel regulator	1	93	544 91 34-01	sheating, handle	2
11	501 97 99-01	wheel regulator lever	1	95	504 87 93-01	upper handle	1
12	538 23 58-07	screw M5x45	1	98	531 20 55-81	binder	2
13	504 80 01-01	rear axle	1	99	504 70 82-01	lower handle	1
15	531 20 87-72	seeger	2	100	531 20 62-12	screw M5x60	1
16	544 34 23-01	gear	2	101	531 20 62-10	accelerator lever and cable	1
17	531 20 87-78	ball bearing	2	102	531 21 35-22	brake cable	1
18	531 20 59-44	rear axle housing	2	103	531 20 80-43	cable support	1
21	544 44 76-04	wheel cover Ø190	2	104	531 20 52-13	nut M5	1
22	504 85 78-01	nut M8, self locking, flanged	2	105	531 20 66-66	washer	1
23	544 91 73-01	wheel assy Ø190	2	110	544 93 29-07	EZ control assy	1
24	504 54 82-01	ball bearing	2	111	532 41 35-42	cover	1
30	531 20 80-08	screw, 3/8"	1	112	532 18 73-53	pulley	1
31	531 20 72-37	spring washer	1	113	505 53 12-01	lever	1
32	504 11 33-01	mulching blade	1	114	532 41 35-41	plate	1
34	531 20 61-69	blade support	1	115	532 18 70-97	holder	1
35	505 29 09-01	key	1	116	532 18 16-98	screw	5
36	531 20 78-56	screw 5x10	3	130	531 20 79-78	nut M10	2
37	544 46 23-01	belt cover	1	131	531 20 89-74	washer	2
38	504 04 61-01	belt guide	1	132	531 20 79-89	washer	2
39	544 46 25-01	belt guide	1	133	544 45 22-01	bracket, wheel adj.	2
41	544 34 32-03	gear box	1	134	544 45 25-01	wheel regulator lever	2
42	510 03 75-01	screw 4x16, self threading	2	135	531 20 79-86	handle, wheel regulator lever	2
43	504 10 31-01	belt guide	1	136	504 85 14-01	wheels support	2
44	544 93 43-01	belt guide	1	137	531 20 60-20	washer	2
45	544 93 47-01	gear box spring	1	138	531 20 49-12	screw M10x26,4	2
46	504 54 79-01	pulley plate	2				
47	504 54 80-01	nut	1				
48	504 10 33-01	belt Z30 10X765	1				
51	531 21 35-88	sack frame	1				
52	531 21 32-11	sack	1				
53	531 21 35-87	sack cover	1				
54	531 21 11-91	spring, mulching plug	1				
55	531 21 33-93	mulching plug	1				
58	531 21 38-91	safety flap	1				
60	531 20 66-77	screw	2				
63	504 87 44-43	deck	1				
64	531 21 28-51	screw 3/8" + split washer	3				
65	531 20 58-48	snap on connector 1/2"	1				
67	531 20 50-60	safety flap bar	1				
68	531 20 59-99	spring	1				
75	—	engine, Briggs & Stratton, model number 126T021827	1				
76	531 21 38-69	engine cover	1				
78	531 20 79-82	nut M8	2				
79	531 20 49-23	knob	2				
80	531 20 49-22	washer	2				
81	531 20 49-21	screw M8x25	2				
82	531 20 89-50	cap	2				