

PNC

966483001

ML

00

Model

P 51-550 CDW

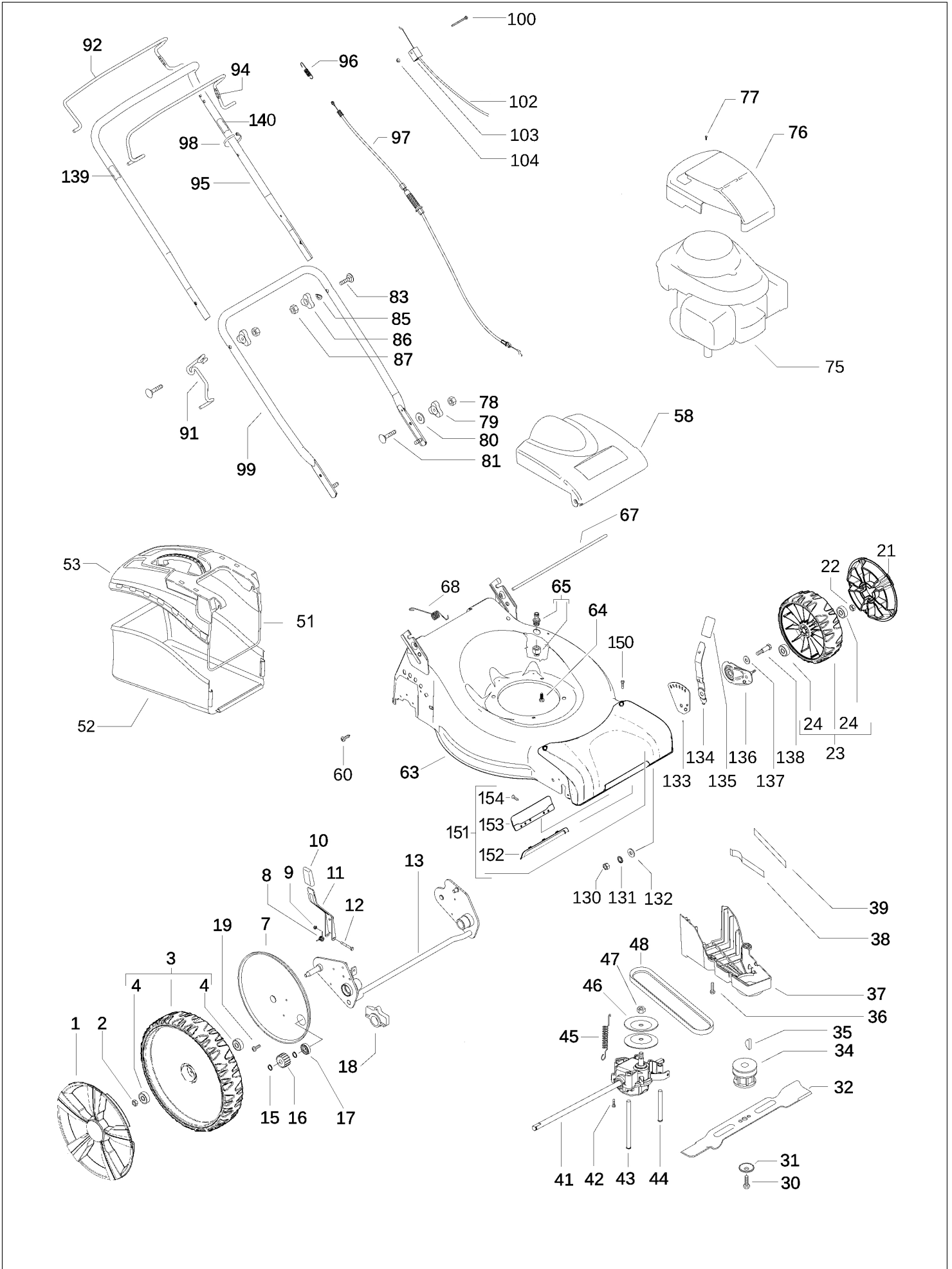
Brand

Partner

Number of Pages 1 of 3

Factory:	IIQ - Valmadrera	Product Group:	OP 93
Publication Number:	AIPL2010_V070000019	Petrol Portable	
Publication Date:	12/11/09	Sub Group	1071

HUSQVARNA OUTDOOR PRODUCTS ITALIA SPA



HUSQVARNA OUTDOOR PRODUCTS ITALIA SPA

Item	PN	Description	Qty	Item	PN	Description	Qty
1	574 39 66-01	wheel cover 280	2	67	531 20 50-60	safety flap bar	1
2	504 85 78-01	nut M8, self locking, flanged	2	68	531 20 59-99	spring	1
3	574 45 12-01	wheel assy 280	2	75	————	engine, Briggs & Stratton BS10T8O20136B1	1
4	504 54 82-01	ball bearing	2	76	522 86 81-01	engine cover	1
7	504 82 73-01	dust shield Ø210	2	77	531 21 27-10	screw	2
8	531 21 08-17	spring, wheel regulator lever	1	78	531 20 79-82	nut M8	2
9	531 20 84-92	nut M5, self locking	1	79	531 20 49-23	knob	2
10	574 61 05-01	handle, wheel regulator	1	80	531 20 49-22	washer	2
11	501 97 99-01	wheel regulator lever	1	81	531 20 49-21	screw M8x25	2
12	538 23 58-07	screw M5x45	1	82	531 20 89-50	cap	2
13	510 09 29-01	rear axle	1	83	531 20 79-82	nut M8	2
14	531 20 66-53	cotter pin	1	84	531 20 49-23	knob	2
15	531 20 87-72	seeger	2	85	531 20 70-90	washer	2
16	544 34 23-01	gear	2	86	531 20 70-89	screw M5x80	2
17	531 20 87-78	ball bearing	2	87	531 20 79-82	nut M8	2
18	531 20 59-44	rear axle housing	2	91	504 70 86-01	starter cable guide	1
21	574 39 64-01	wheel cover 190	2	92	504 70 84-01	clutch lever	1
22	504 85 78-01	nut M8, self locking, flanged	2	94	504 70 83-04	brake lever	1
23	574 45 09-01	wheel assy 190	2	95	504 70 80-01	handle, upper half	1
24	504 54 82-01	ball bearing	2	96	531 21 05-73	spring clutch	1
30	531 20 80-08	screw, 3/8"	1	97	544 90 80-02	clutch cable	1
31	531 20 72-37	spring washer	1	98	531 20 55-81	binder	2
32	504 11 33-01	mulching blade	1	99	531 20 51-18	handle, lower half	1
34	531 20 61-69	blade support	1	100	531 20 63-46	screw M5x40	1
35	505 29 09-01	key	1	102	531 21 35-22	brake cable	1
36	531 20 78-56	screw 5x10	3	103	531 20 80-43	cable support	1
37	544 46 23-01	belt cover	1	104	531 20 52-13	nut M5	1
38	504 04 61-01	belt guide	1	130	531 20 79-78	nut M10	2
39	544 46 25-01	belt guide	1	131	531 20 89-74	washer	2
41	504 54 14-03	gear box	1	132	531 20 79-89	washer	2
42	510 03 75-01	screw 4x16 w. washer	2	133	544 45 22-01	bracket, wheel adj.	2
43	504 10 31-01	belt guide	1	134	544 45 25-01	wheel regulator lever	2
44	544 93 43-01	belt guide	1	135	574 61 05-01	handle, wheel regulator lever	2
45	544 93 47-01	gear box spring	1	136	504 85 14-01	wheels support	2
46	504 54 79-01	pulley plate	2	137	531 20 60-20	washer	2
47	504 54 80-01	nut	2	138	531 20 49-12	screw M10	2
48	504 10 33-01	belt Z30 10X765	1	139	576 28 37-01	label, clutch handle	1
51	531 21 35-88	sack frame	1	140	576 28 32-01	label, brake handle	1
52	531 21 32-11	sack	1	150	576 04 74-01	screw	2
53	531 21 35-87	hard top	1	151	575 56 22-01	front cover	1
58	544 25 55-01	safety flap	1	152	574 37 52-01	frontal plate	1
60	531 20 66-77	screw 4.8x19, self threading	2	153	574 72 17-01	back plate	1
63	575 50 14-02	deck	1	154	575 95 57-01	screw	2
64	531 21 28-51	screw 3/8" + split washer	3				
65	531 20 58-48	snap on connector	1				