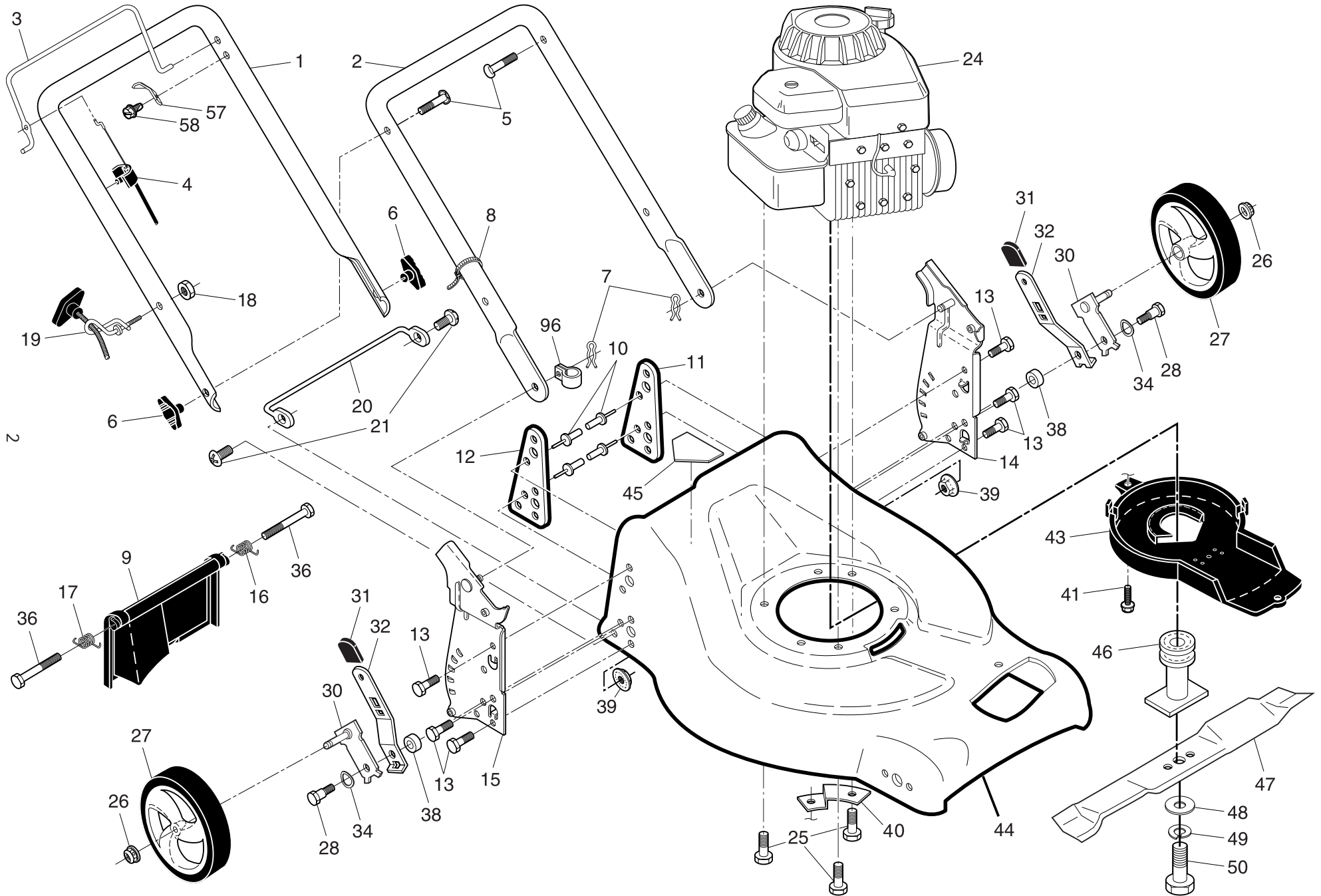


# ILLUSTRATED PARTS LIST

**MODEL NUMBER P51-500CMD**  
**PRODUCT NUMBER 961 41 00-84**  
**MFG. ID. NUMBER 96141008408**

ROTARY LAWN MOWER - - MODEL NUMBER P51-500CMD (96141008408) PRODUCT NO. 961 41 00-84



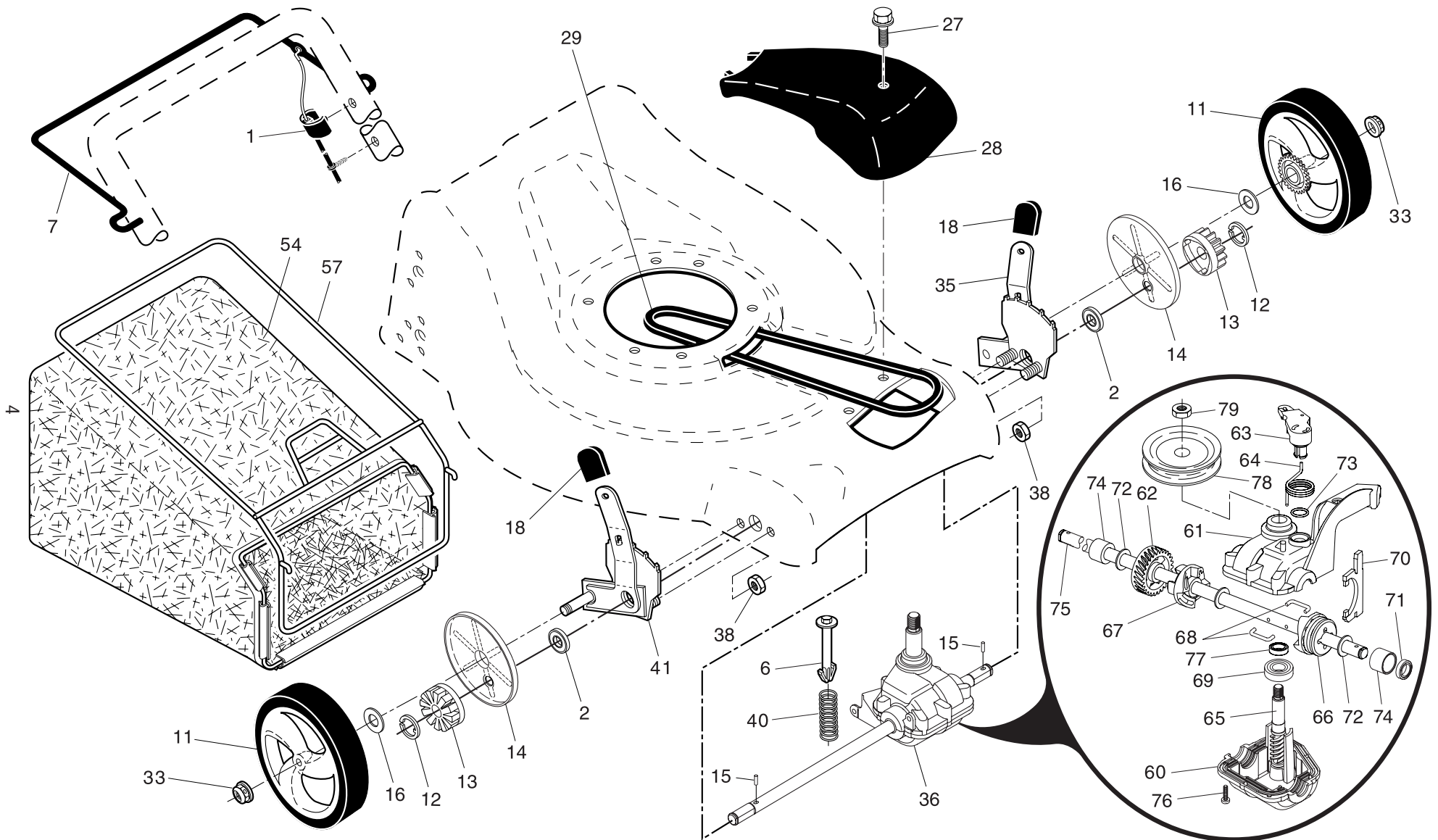
# ROTARY LAWN MOWER - - MODEL NUMBER P51-500CMD (96141008408) PRODUCT NO. 961 41 00-84

KEY NO.	PART NO.	DESCRIPTION	KEY NO.	PART NO.	DESCRIPTION
1	532 19 84-59	Upper Handle	28	532 40 16-38	Shoulder Bolt 5/16-18 x .33
2	532 15 36-05	Lower Handle	30	532 41 21-74	Axle Arm Assembly, Rear
3	532 19 84-64	Control Bar	31	532 08 78-77	Selector Knob
4	532 18 35-67	Engine Zone Control Cable	32	532 41 08-88	Selector Spring
5	532 19 15-74	Handle Bolt	34	532 40 16-30	Washer, Curved, Cylindrical
6	532 19 19-38	Handle Knob	36	532 18 41-93	Bolt
7	532 05 17-93	Hairpin Cotter	38	532 40 16-29	Washer
8	532 06 64-26	Wire Tie	39	532 15 53-77	Nut, Hex
9	532 40 69-85	Rear Door	40	532 19 09-39	Mounting Bracket, Debris Shield
10	532 12 84-15	Pop Rivet	41	532 19 23-25	Screw
11	532 41 05-40	Support Bracket, LH	43	532 40 58-45	Debris Shield
12	532 41 05-42	Support Bracket, RH	44	532 40 93-64	Kit, Lawn Mower Housing (Includes Key Numbers 10, 11, 12 and 45)
13	817 06 04-10	Screw 1/4-20 x 5/8	45	532 18 21-66	Danger Decal
14	532 19 01-54	Handle Bracket Assembly, LH	46	532 40 46-32	Blade Adapter
15	532 19 01-53	Handle Bracket Assembly, RH	47	532 19 93-77	Blade, 21"
16	532 40 54-17	Spring, Rear Door, LH	48	532 85 10-74	Hardened Washer
17	532 40 54-18	Spring, Rear Door, RH	49	532 85 02-63	Helical Washer 3/8-24 x 1-3/8 Grade 8
18	532 13 20-04	Keps Locknut 1/4-20	50	532 85 10-84	Hex Head Machine Screw 3/8-24 x 1-3/8 Grade 8
19	532 19 47-88	Rope Guide	57	532 12 51-62	Upstop Bracket
20	532 41 35-43	Foot Guard, C.E.	58	532 75 06-34	Screw
21	817 49 04-16	Screw, Tapping 1/4-20 x 1/2	96	532 19 79-91	Clip, Cable
24	- - -	Engine, Briggs & Stratton, Model No. 10T502 (order parts from engine manufacturer)	--	532 18 21-34	Decal, Warning, Internal, Self-Propelled (not shown)
25	532 15 04-06	Hex Head Thread Rolling Screw 3/8-16 x 1-1/8	--	532 41 62-83	Operator's Manual, European
26	532 40 91-48	Hex Flange Nut	--	532 41 62-84	Operator's Manual, Scandinavian
27	532 40 61-55	Wheel & Tire Assembly, Rear, 8"	--	532 41 62-86	Operator's Manual, East Bloc
			--	532 41 62-85	Operator's Manual, Baltic

**NOTE:** All component dimensions given in U.S. inches. 1 inch = 25.4 mm

**IMPORTANT:** Use only Original Equipment Manufacturer (O.E.M.) replacement parts. Failure to do so could be hazardous, damage your lawn mower and void your warranty.

# ROTARY LAWN MOWER - - MODEL NUMBER P51-500CMD (96141008408) PRODUCT NO. 961 41 00-84



# ROTARY LAWN MOWER - - MODEL NUMBER P51-500CMD (96141008408) PRODUCT NO. 961 41 00-84

KEY NO.	PART NO.	DESCRIPTION
1	532 19 46-53	Drive Control Assembly
2	532 19 10-39	Bearing, Wheel Adjuster
3	532 17 52-62	Pan Head Tapping Screw #10-24 x 2-3/4
6	532 13 70-90	Spring Tension Belt
7	532 19 84-53	Control Bar, Drive
11	532 40 29-36	Wheel & Tire Assembly
12	812 00 00-58	E-Ring
13	532 40 38-49	Pinion
14	532 18 94-03	Dust Cover
15	532 40 48-45	Pawl, Drive
16	532 06 77-25	Washer 1/2 x 1-1/2 x .134
18	532 08 78-77	Selector Knob
28	532 19 58-81	Drive Cover
29	532 17 54-36	V-Belt
33	532 40 91-48	Locknut, Hex
35	532 40 88-62	Kit, Wheel Adjuster, LH (Includes Knob and Bearing)
36	532 41 52-25	Gearcase Assembly, Complete
38	873 80 04-00	Locknut, Hex 1/4-20
40	532 15 04-95	Spring
41	532 40 88-61	Kit, Wheel Adjuster, RH (Includes Knob and Bearing)

KEY NO.	PART NO.	DESCRIPTION
54	532 40 19-05	Grassbag Assembly
57	532 41 19-50	Frame, Grassbag
60	532 18 34-97 *	Case Lower
61	532 18 34-98 *	Case Upper
62	532 18 34-99	Gear, 27 Teeth
63	532 18 35-00	Lever, Clutch
64	532 18 35 01	Spring, Return
65	532 41 69-88	Shaft, Input
66	532 18 35-03	Dog, Movable
67	532 18 35-04	Dog, Fixed
68	532 18 35-05	Wire, Formed
69	532 18 35-06	Bearing, Ball
70	532 18 35-07	Fork, Shift
71	532 18 35-08	Seal, Output Shaft
72	532 18 35-09	Washer
73	532 18 35-10	Seal, Case
74	532 18 35-11	Bushing
75	532 19 66-13	Shaft, Output
76	532 18 35-13	Screw
77	532 18 35-14	Seal, Inout Shaft
78	532 41 69-87	Pulley, Drive
79	532 41 69-86	Nut, Hex, Flanged

\* Use Dow Corning #709 to reseal Gear Case Halves

**NOTE:** All component dimensions given in U.S. inches. 1 inch = 25.4 mm

**IMPORTANT:** Use only Original Equipment Manufacturer (O.E.M.) replacement parts. Failure to do so could be hazardous, damage your lawn mower and void your warranty.