

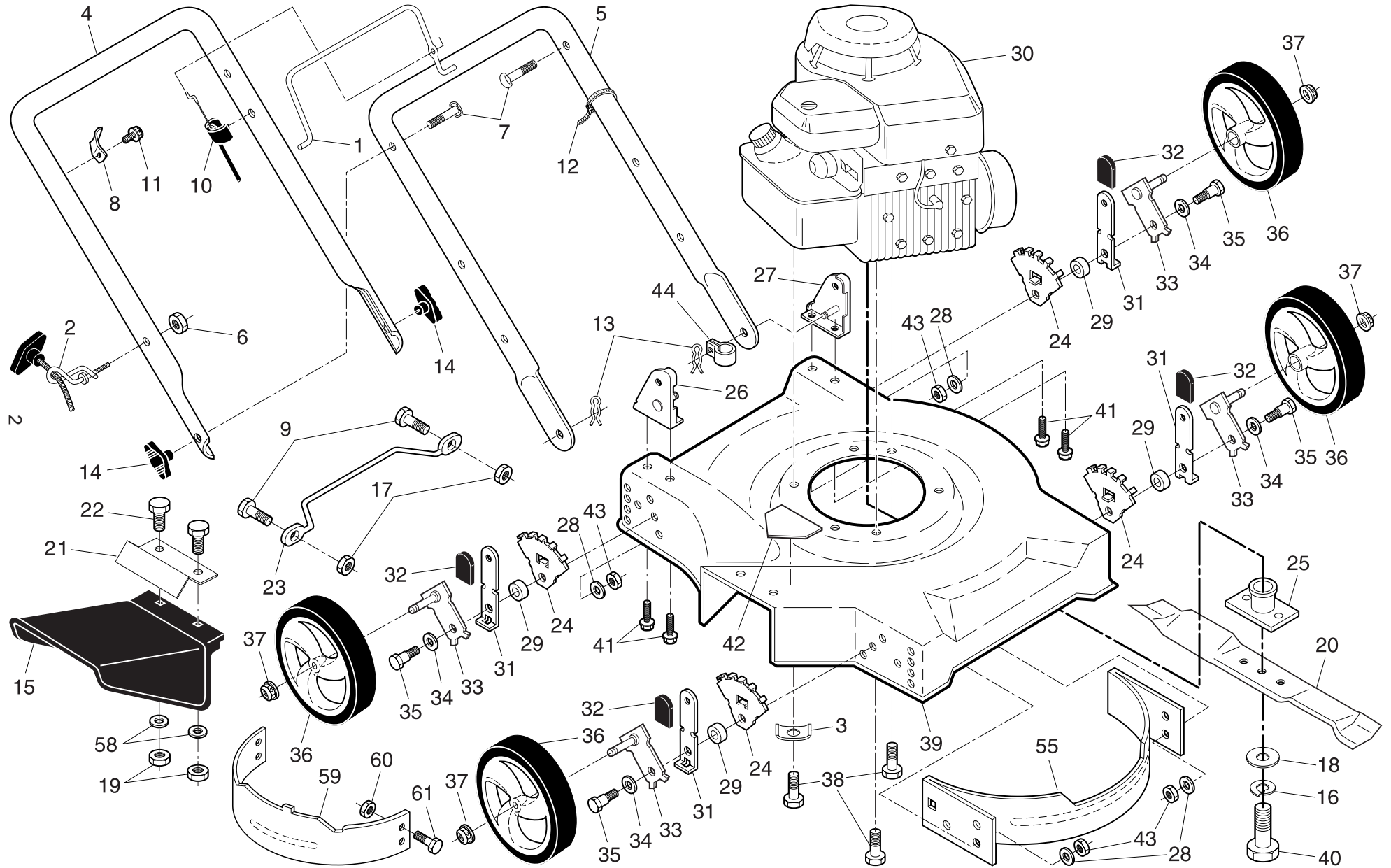
ILLUSTRATED PARTS LIST

MODEL NUMBER P51-450SM

PRODUCT NUMBER 961 11 00-14

MFG. ID. NUMBER 96111001407

ROTARY LAWN MOWER -- MODEL NUMBER P51-450SM (96111001407) PRODUCT NUMBER 961 11 00-14



ROTARY LAWN MOWER - - MODEL NUMBER P51-450SM (96111001407) PRODUCT NUMBER 961 11 00-14

KEY NO.	PART NO.	DESCRIPTION	KEY NO.	PART NO.	DESCRIPTION
1	532 19 60-25	Control Bar	28	532 06 15-37	Washer, Flat
2	532 19 47-88	Rope Guide	29	532 40 16-29	Spacer
3	532 12 50-78	Washer, Engine	30	- - -	Engine, Briggs & Stratton, Model Number 9T502 (Order parts from engine manufacturer)
4	532 19 60-26	Upper Handle	31	532 40 64-28	Spring, Selector
5	532 15 50-44	Lower Handle	32	532 08 78-77	Knob, Selector
6	532 13 20-04	Locknut, Hex 1/4-20	33	532 40 78-71	Axle Arm Assembly
7	532 19 15-74	Bolt 1/4-20	34	532 40 16-30	Washer
8	532 12 52-03	Up-Stop Bracket	35	532 40 16-38	Shoulder Bolt
9	532 08 58-25	Screw	36	532 40 31-14	Wheel & Tire Assembly 8 x 1-3/4
10	532 16 27-78	Engine Zone Control Cable	37	532 40 91-48	Nut, Hex
11	532 75 06-34	Screw, Self-Tapping, Hex Washer Head #10-24 x 1/2	38	532 15 04-06	Screw, Hex Head, Threaded, Rolled 3/8-16 x 1
12	532 06 64-26	Wire Tie	39	532 42 82-08	Kit, Lawn Mower Housing
13	532 05 17-93	Hairpin Cotter	40	532 85 10-84	Screw, Machine, Hex Head 3/8-24 x 1-3/8 Grade 8
14	532 19 19-38	Handle Knob	41	532 14 97-41	Screw
15	532 41 35-68	Discharge Guard	42	532 18 21-66	Danger Decal
16	532 85 02-63	Helical Lock Washer	43	873 93 05-00	Locknut, Hex 5/8-16
17	532 06 91-80	Nut, Hex	44	532 19 79-91	Clip, Cable
18	532 85 10-74	Washer, Hardened	55	532 14 15-19	Front Baffle
19	873 80 04-00	Nut, Hex	58	532 05 38-47	Washer, Flat 1/4
20	532 14 51-06	Blade, 20"	59	532 42 82-30	Plate, Closeout
21	532 16 22-34	Hold-Down Bracket	60	532 06 91-80	Nut, Hex, with Lockwasher Insert
22	874 76 04-12	Screw	61	874 96 10-08	Screw, Machine #10-24 x 1/2
23	532 15 41-47	Foot Guard	--	532 14 15-20	Rear Baffle (not shown)
24	532 41 05-94	Bracket, Wheel Adjusting	--	532 42 51-27	Operator's Manual, European
25	532 85 09-77	Blade Adapter	--	532 42 51-26	Operator's Manual, Scandanivian
26	532 17 09-75	Handle Bracket, RH	--	532 42 51-29	Operator's Manual, East Bloc
27	532 17 09-77	Handle Bracket, LH	--	532 42 51-28	Operator's Manual, Baltic

NOTE: All component dimensions given in U.S. inches. 1 inch = 25.4 mm. **IMPORTANT:** Use only Original Equipment Manufacturer (O.E.M.) replacement parts. Failure to do so could be hazardous, damage your lawn mower and void your warranty.