

ILLUSTRATED PARTS LIST

MODEL NUMBER P51-160CMD

PRODUCT NUMBER 961 41 01-99

MFG. ID. NUMBER 96141019900

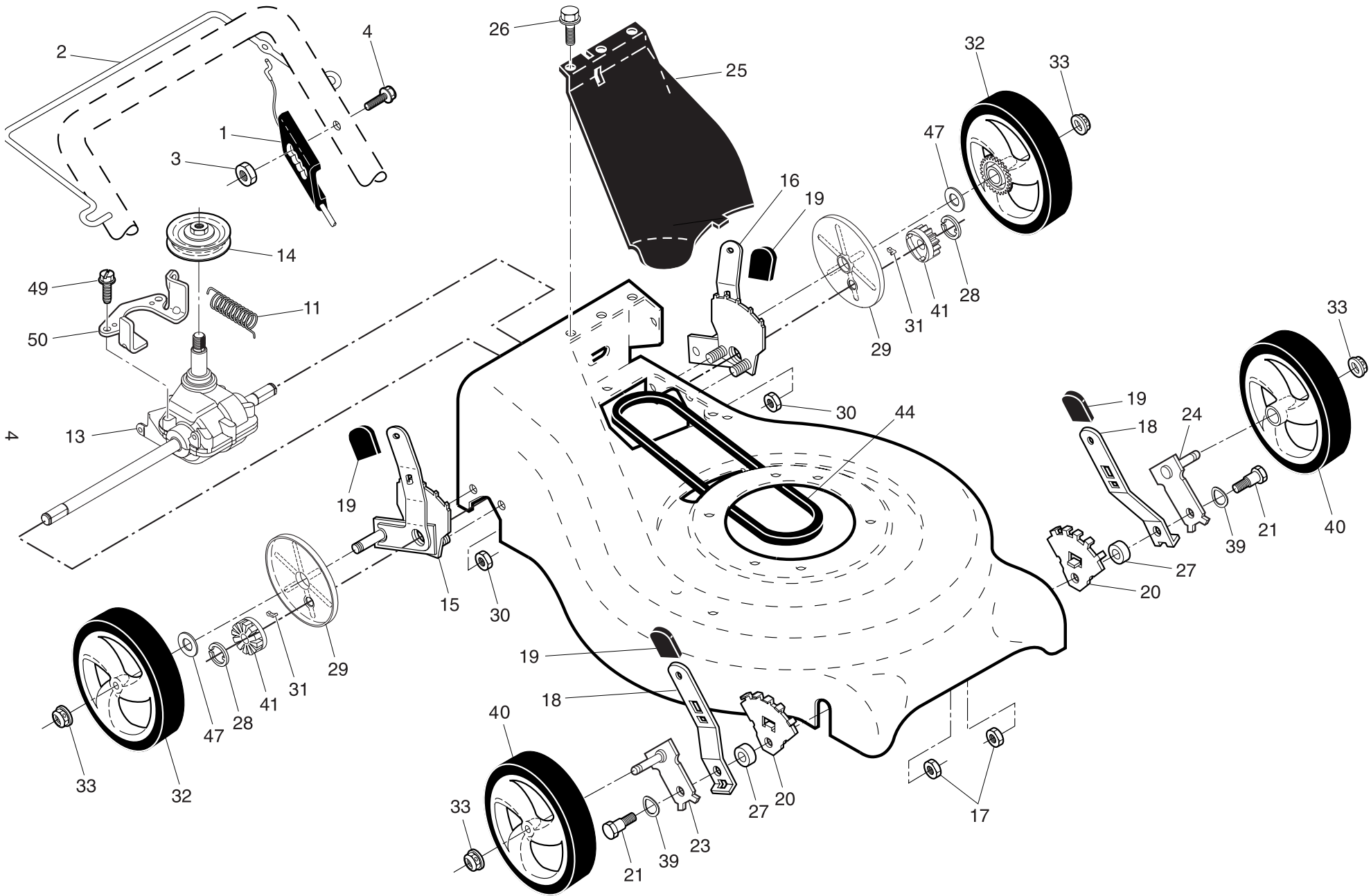
ROTARY LAWN MOWER - - MODEL NUMBER P51-160CMD (96141019900) PRODUCT NUMBER 961 41 01-99

KEY NO.	PART NO.	DESCRIPTION	KEY NO.	PART NO.	DESCRIPTION
1	532 40 32-98	Handle, Upper	25	532 16 13-33	Baffle, Side
2	532 19 60-05	Handle, Lower	26	532 16 34-09	Screw, Hi-Lo Thread #12 x 5/8
3	532 40 54-16	Spring, Rear Door, RH	29	532 19 12-21	Cable, Operator Presence
4	532 19 47-88	Guide, Rope, Side	30	532 18 91-79	Blade Adapter / Pulley
5	532 13 20-04	Nut, Hex, with Lockwasher Insert 1/4-20	31	532 19 93-77	Blade, 21"
6	532 06 64-26	Wire, Tie	32	532 85 10-74	Washer, Hardened
7	532 19 15-74	Bolt, Handle 5/16-18 x 1.75	33	532 85 02-63	Lockwasher, Helical Spring 3/8
8	532 08 76-92	Knob, Handle	34	532 85 10-84	Screw, Hex Head 3/8-24 x 1.38
9	532 19 84-64	Bail, Control, Wire, Deluxe Comfort, Black	35	532 40 58-43	Shield, Debris
10	532 18 88-21	Bolt, Carriage	36	532 19 23-25	Screw
11	532 75 11-53	Nut, Hex, with Lockwasher Insert 5/16-18 UNC	37	532 15 04-06	Bolt, Engine
12	532 05 17-93	Cotter, Hairpin	38	- - -	Engine, Honda, Model Number GCV160 (Order parts from engine manufacturer)
13	532 40 54-15	Spring, Rear Door, LH	39	532 41 06-76	Bag, Grass Catcher
14	532 75 06-34	Screw, Tapping, Hex Washer Head #10-24	40	532 41 19-51	Frame, Grass Bag
15	532 12 51-62	Bracket, Upstop	41	532 18 21-66	Decal Danger
16	532 40 88-88	Rear Door Assembly	42	817 06 04-10	Screw, Self Tapping
17	532 18 41-93	Bolt, Rear Door	48	532 19 09-39	Mounting Bracket, Debris Shield
18	532 19 81-70	Plug, Mulcher	96	532 19 79-91	Clip, Cable
19	532 40 96-92	Kit, Lawn Mower Housing Assembly	--	532 18 21-34	Warning Decal (not shown)
20	532 40 32-96	Handle Bracket Assembly, LH	--	532 42 41-15	Operator's Manual, European
21	532 40 32-97	Handle Bracket Assembly, RH	--	532 42 41-16	Operator's Manual, Scandinavian
22	817 00 05-12	Screw, Hex Washer Head	--	532 42 41-17	Operator's Manual, East Bloc
23	532 16 31-83	Bolt, Hex Head 5/16-18 x 5/8	--	532 42 41-18	Operator's Manual, Baltic
24	873 80 05-00	Nut, Hex, with Lockwasher Insert 5/16-18			

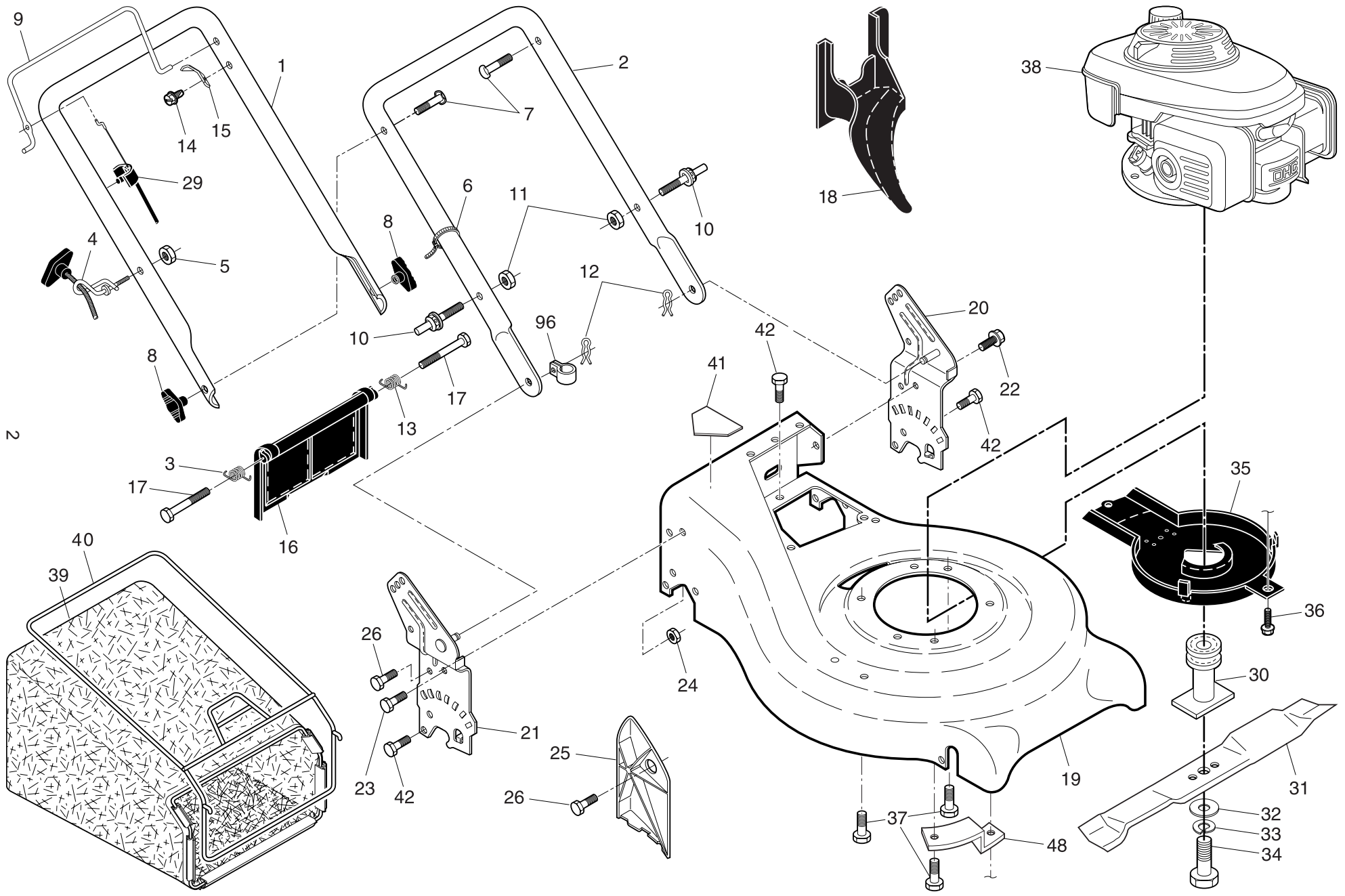
NOTE: All component dimensions given in U.S. inches. 1 inch = 25.4 mm

IMPORTANT: Use only Original Equipment Manufacturer (O.E.M.) replacement parts. Failure to do so could be hazardous, damage your lawn mower and void your warranty.

ROTARY LAWN MOWER - - MODEL NUMBER P51-160CMD (9614101990) PRODUCT NUMBER 961 41 01-99



ROTARY LAWN MOWER - - MODEL NUMBER P51-160CMD (9614101990) PRODUCT NUMBER 961 41 01-99



ROTARY LAWN MOWER - - MODEL NUMBER P51-160CMD (96141019900) PRODUCT NUMBER 961 41 01-99

KEY NO.	PART NO.	DESCRIPTION
1	532 40 48-46	Drive Control Assembly (Includes Cable)
2	532 19 84-53	Bar, Control, Drive
3	532 19 17-30	Nut, Hex
4	532 19 96-87	Screw
11	532 40 65-58	Spring, Return
13	532 41 92-14	Gearcase Assembly, Complete
14	532 19 34-43	Pulley, Drive
15	532 40 90-73	Kit, Wheel Adjuster Assembly, RH (Includes Knob)
16	532 40 90-74	Kit, Wheel Adjuster Assembly, LH (Includes Knob)
17	532 16 67-85	Nut, Hex
18	532 40 64-28	Spring, Selector
19	532 08 78-77	Knob, Selector Spring
20	532 41 05-94	Bracket, Wheel Adjusting
21	532 40 16-38	Bolt, Shoulder, Hex Head
23	532 40 66-90	Axle Arm Assembly, RH

KEY NO.	PART NO.	DESCRIPTION
24	532 40 66-89	Axle Arm Assembly, LH
25	532 40 28-07	Cover, Drive
26	532 75 06-34	Screw, Tapping, Hex Washer Head #10-24
27	532 40 16-29	Spacer
28	812 00 00-58	E-Ring 7/16
29	532 18 94-03	Cover, Dust, Wheel
30	873 80 04-00	Nut, Hex
31	532 40 48-45	Drive Pawl
32	532 41 37-23	Wheel & Tire Assembly, Rear, Driven
33	532 40 91-48	Nut, Hex, Flangelock
39	532 40 16-30	Washer, Curved, Cylindrical
40	532 40 61-55	Wheel & Tire Assembly, Front
41	532 40 48-35	Gear, Pinion
44	532 40 65-80	V-Belt
47	532 06 77-25	Washer, Flat
49	532 16 34-09	Screw, Hi-Lo Thread #12 x 5/8
50	532 41 31-04	Belt Keeper

NOTE: All component dimensions given in U.S. inches. 1 inch = 25.4 mm

IMPORTANT: Use only Original Equipment Manufacturer (O.E.M.) replacement parts. Failure to do so could be hazardous, damage your lawn mower and void your warranty.