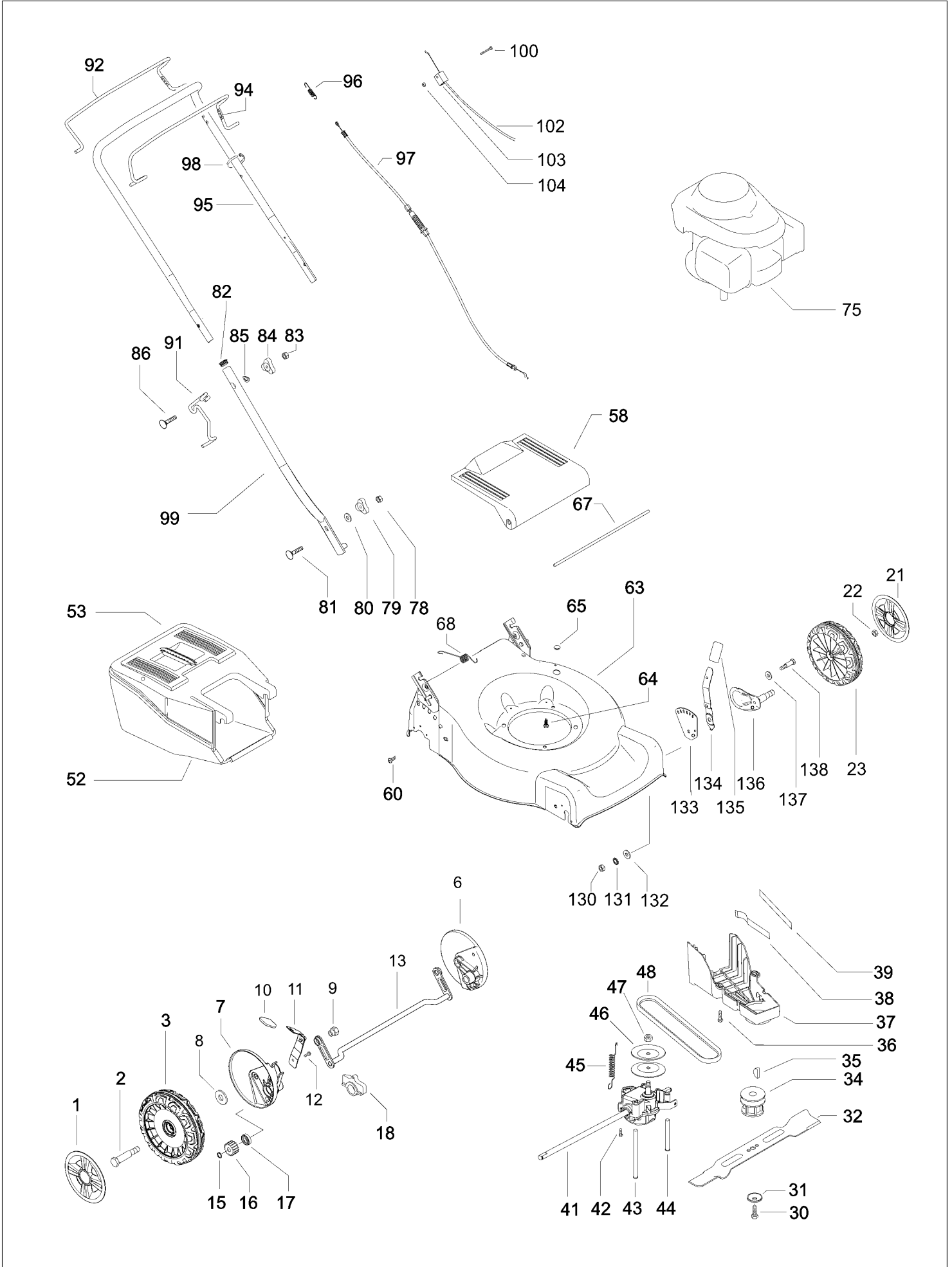


<b>PNC-ML</b>	<b>Model</b>	<b>Brand</b>
966843201-00	P 46-450 CD	Partner
966843201-01	P 46-450 CD	Partner

**Number of Pages 1 of 3**

<p><b>Factory:</b> IIQ - Valmadrera</p>	<p><b>Product Group:</b> OP 93</p>
<p><b>Publication Number:</b> AIPL2008_V200000012</p>	<p><b>Petrol Portable</b></p>
<p><b>Publication Date:</b> 14/05/08</p>	<p><b>Sub Group</b> 1071</p>

HUSQVARNA OUTDOOR PRODUCTS ITALIA SPA



## HUSQVARNA OUTDOOR PRODUCTS ITALIA SPA

Item	PN	Description	Qty	Item	PN	Description	Qty
1	544 44 62-04	wheel cover Ø210	2	91	504 70 86-01	starter cable guide	1
2	544 45 34-01	screw	2	92	504 70 84-01	clutch lever	1
3	544 91 67-01	wheel assy Ø210	2	94	504 70 83-04	brake lever	1
6	531 20 51-95	dust shield Ø210, left	1	95	504 70 80-01	handle, upper half	1
7	531 20 51-94	dust shield Ø210, right	1	96	531 21 05-73	spring, clutch	1
8	505 22 74-01	washer	2	97	544 90 80-01	clutch cable	1
9	504 70 59-01	bushing M10	2	98	531 20 55-81	binder	2
10	531 20 79-86	handle, wheel regulator	1	99	504 70 81-01	handle, lower half	2
11	531 21 25-80	wheel regulator lever	1	100	531 20 63-46	screw M5x40	1
12	531 20 82-16	screw 5x16, self threading	1	102	531 21 35-22	brake cable	1
13	504 70 58-01	rear axle	1	103	531 20 80-43	cable support	1
15	531 20 87-72	seeger	2	104	531 20 52-13	nut M5	1
16	544 34 23-01	gear	2	130	531 20 79-78	nut M10	2
17	531 20 87-78	ball bearing	2	131	531 20 89-74	washer	2
18	531 20 59-44	rear axle housing	2	132	531 20 79-89	washer	2
21	544 44 76-04	wheel cover Ø190	1	133	544 45 22-01	bracket, wheel adj.	2
22	504 85 78-01	nut M8, self locking, flanged	2	134	544 45 25-01	wheel regulator lever	2
23	544 91 75-01	wheel assy Ø190	2	135	531 20 79-86	handle, wheel regulator lever	2
30	531 20 80-08	screw, 3/8"	1	136	504 85 14-01	wheels support	2
31	531 20 72-37	spring washer	1	137	531 20 66-43	washer	2
32	531 21 10-17	mulching blade	1	138	531 20 49-12	screw M10	2
34	531 20 61-69	blade support	1				
35	531 20 49-07	key	1				
36	531 20 78-56	screw 5x10	3				
37	544 46 22-01	belt cover	1				
38	504 04 61-01	belt guide	1				
39	544 46 25-01	belt guide	1				
41	544 34 32-03	gear box	1				
42	538 24 08-62	screw 4x18, self threading	2				
43	544 93 44-01	belt guide	1				
44	544 93 43-01	belt guide	1				
45	544 93 47-01	gear box spring	1				
46	504 54 79-01	pulley plate	2				
47	504 54 80-01	nut	1				
48	504 03 48-01	belt Z28 10X710	1				
52	531 20 83-13	sack	1				
53	531 20 82-96	sack cover	1				
58	531 21 26-46	safety flap	1				
60	531 20 66-77	screw 4.8x19, self threading	2				
63	504 87 41-43	deck	1				
64	531 21 28-51	screw 3/8" + split washer	3				
65	531 20 53-18	cap	1				
67	531 20 50-60	safety flap bar	1				
68	531 20 59-99	spring	1				
75	———	engine, Briggs & Stratton, model number 09T5022229	1				
76	531 21 38-64	cover, engine	1				
78	531 20 79-82	nut M8	2				
79	531 20 49-23	knob	2				
80	531 20 49-22	washer	2				
81	531 20 49-21	screw M8x25	2				
82	531 20 89-50	cap	2				
83	531 20 79-82	nut M8	2				
84	531 20 49-23	knob	2				
85	531 20 70-90	washer	2				
86	531 20 70-89	screw M8x50	2				