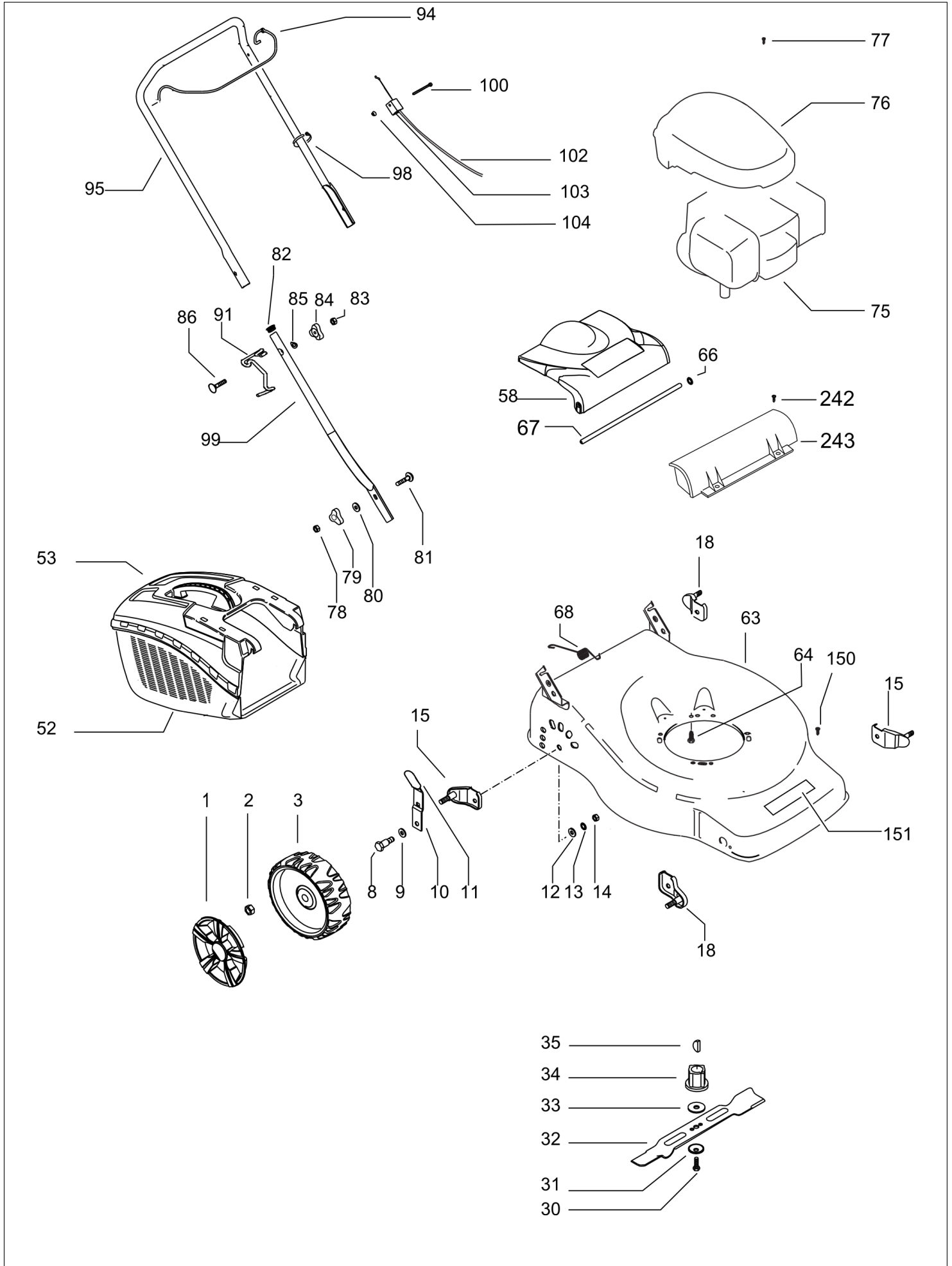


PNC	ML	Model	Brand
966666001	04	P40-450C	Partner

Number of Pages 1 of 3

Factory:	IIQ - Valmadrera	Product Group:	OP 93
Publication Number:	AIPL2012_V48000001	Petrol Portable	
Publication Date:	29/11/12	Sub Group	1071

HUSQVARNA ITALIA SPA



HUSQVARNA ITALIA SPA

Item	PN	Description	Qty	Item	PN	Description	Qty
1	574 39 63-01	wheel cover Ø170	4	102	531 21 35-22	brake cable	1
2	504 85 78-01	nut	4	103	531 20 80-43	cable support	1
3	574 41 49-02	wheel Ø170	4	104	531 20 52-13	nut M5	1
8	531 20 49-12	screw M10x26.4	4	150	576 04 74-01	screw	2
9	531 20 66-43	washer	4	151	581 27 04-01	label	1
10	531 21 24-57	wheel regulator lever	4	242	576 04 74-01	screw M5x16	2
11	574 61 05-01	sheating	4	243	579 30 09-01	grass seal	1
12	531 20 79-89	washer	4				
13	531 20 89-74	washer	4				
14	531 20 79-78	nut M10x26.4	4				
15	504 85 16-01	wheel's support	2				
18	504 85 15-01	wheel's support	2				
30	531 20 80-08	screw, 3/8"	1				
31	531 20 72-37	spring washer	1				
32	531 21 16-53	blade	1				
33	531 20 72-43	washer	1				
34	531 20 72-42	blade support	1				
35	505 29 09-01	key	1				
52	574 61 03-01	sack, lower half	1				
53	574 61 04-01	sack, upper half	1				
58	574 61 02-01	safety flap	1				
63	521 89 96-43	deck	1				
64	531 21 28-51	screw 3/8" + split washer	3				
66	531 20 76-57	star lock washer	2				
67	531 20 50-60	bar, safety flap	1				
68	531 20 59-99	spring	1				
75	———	engine, Briggs & Stratton, model number 09T5020134H1	1				
76	522 86 81-01	engine shroud	1				
77	531 21 27-10	engine shroud screw	2				
78	531 20 79-82	nut M8	2				
79	531 20 49-23	knob	2				
80	531 20 49-22	washer	2				
81	531 20 49-21	screw M8x25	2				
82	531 20 89-50	cap	2				
83	531 20 79-82	nut M8	2				
84	531 20 49-23	knob	2				
85	531 20 70-90	washer	2				
86	531 20 70-89	screw M8x50	2				
91	504 70 86-01	starter cable guide	1				
94	504 70 83-04	brake lever	1				
95	504 70 80-01	handle, upper half	1				
98	531 20 55-81	zip tie	2				
99	531 20 60-71	handle, lower half	2				
100	531 20 63-46	screw M5x40	1				